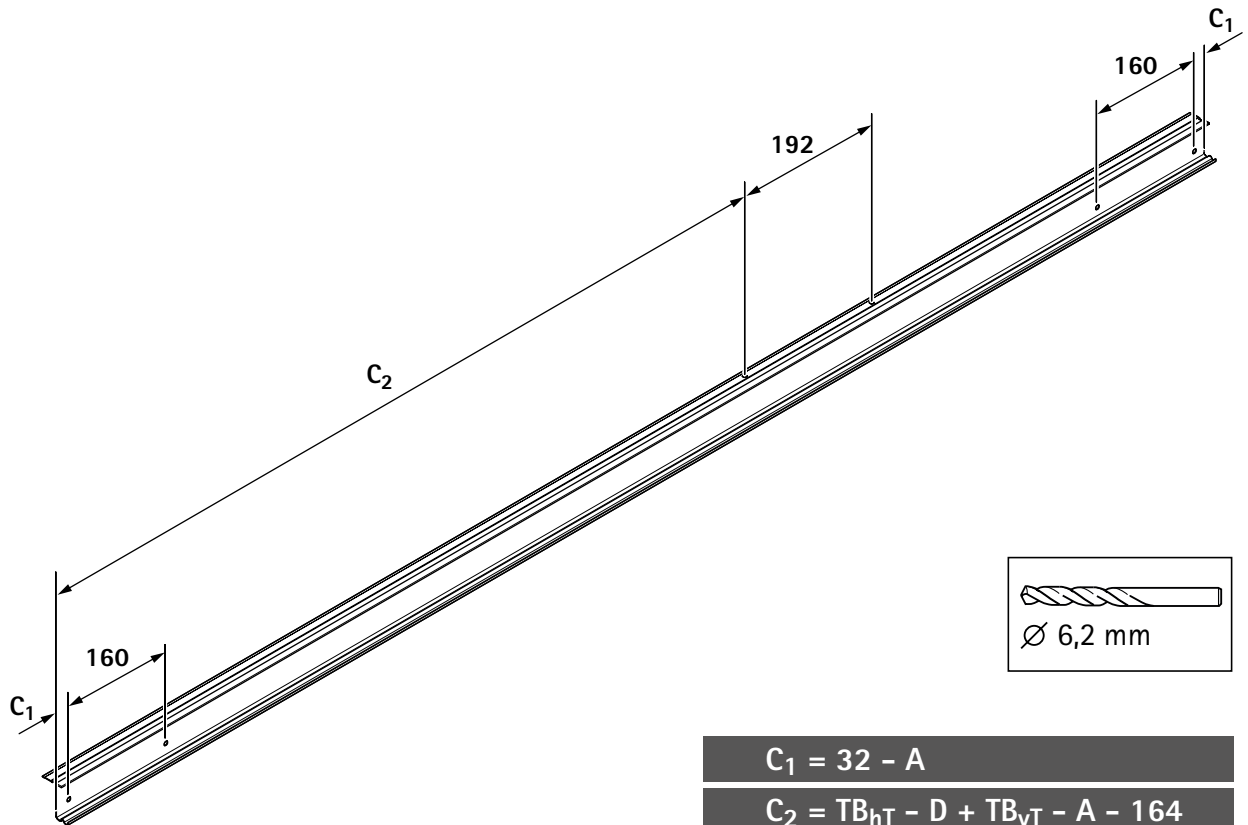
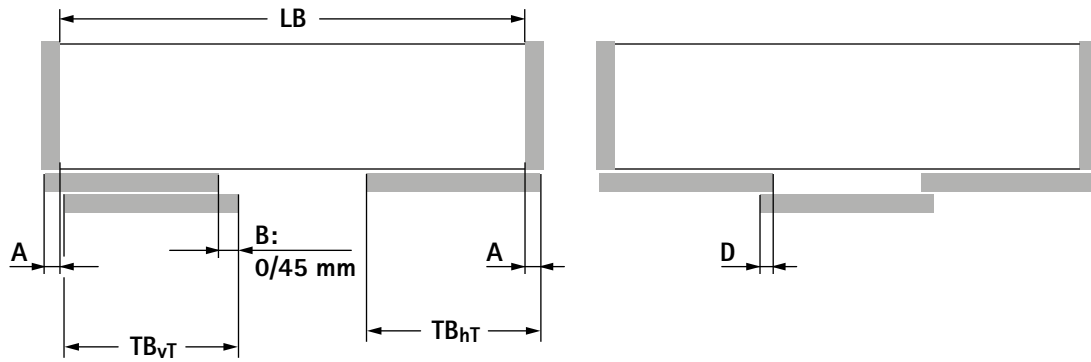
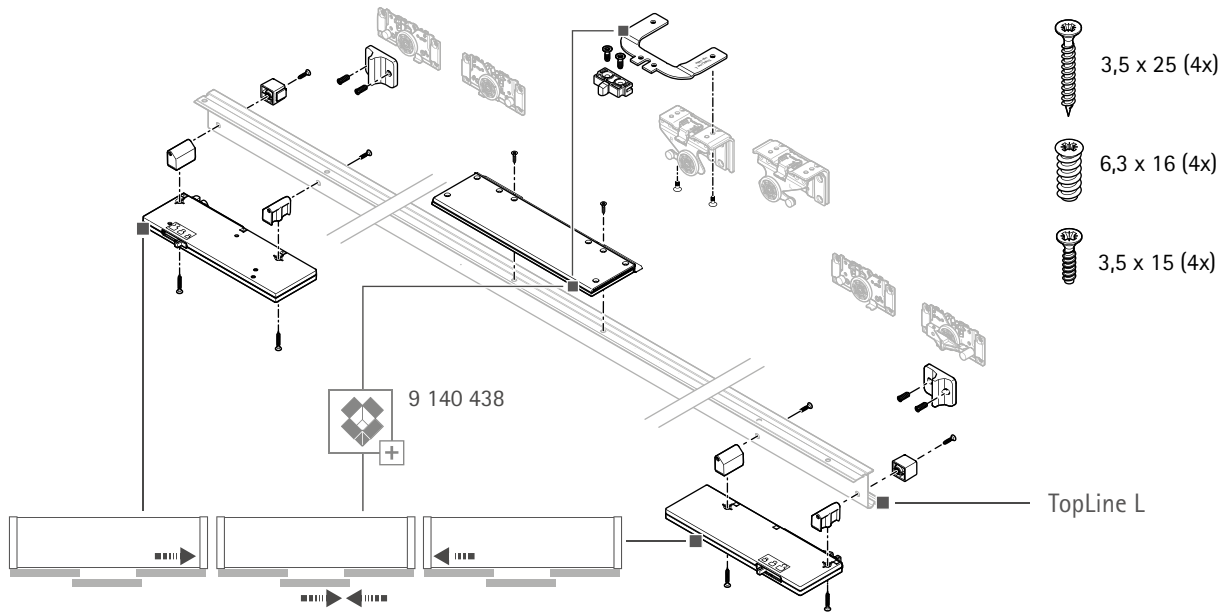


9 140 438



$$C_1 = 32 - A$$

$$C_2 = TB_{hT} - D + TB_{vT} - A - 164$$

