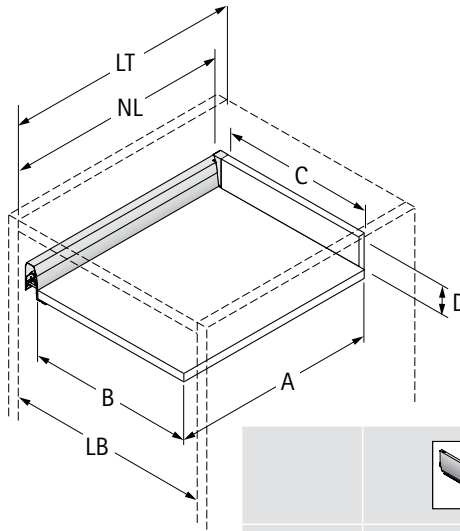
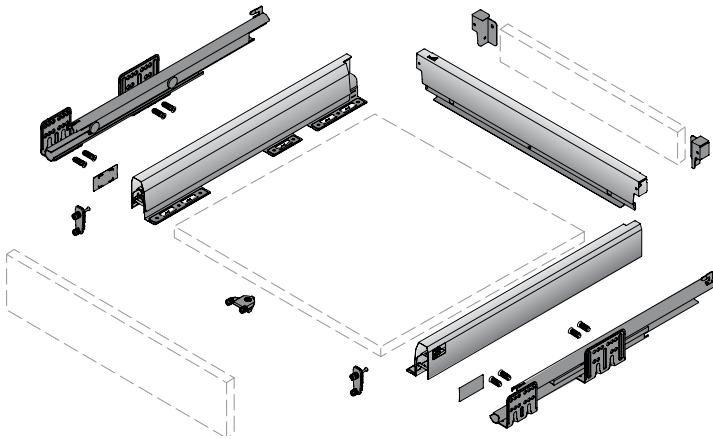
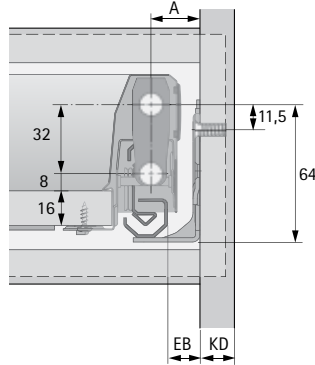
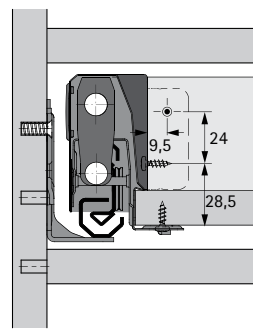
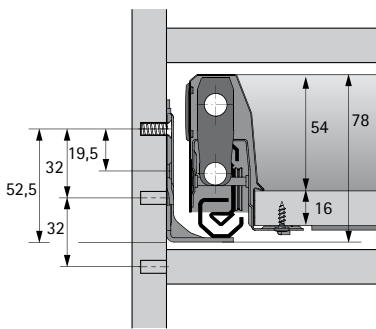
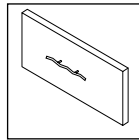
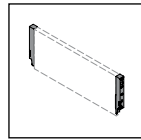
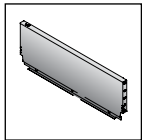


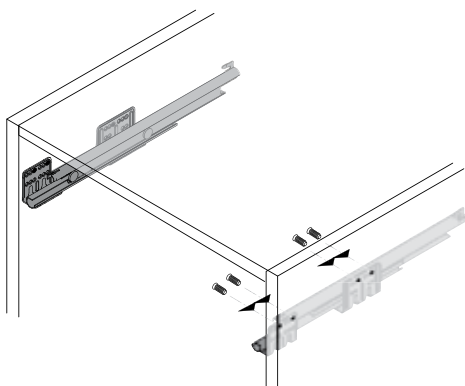
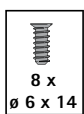
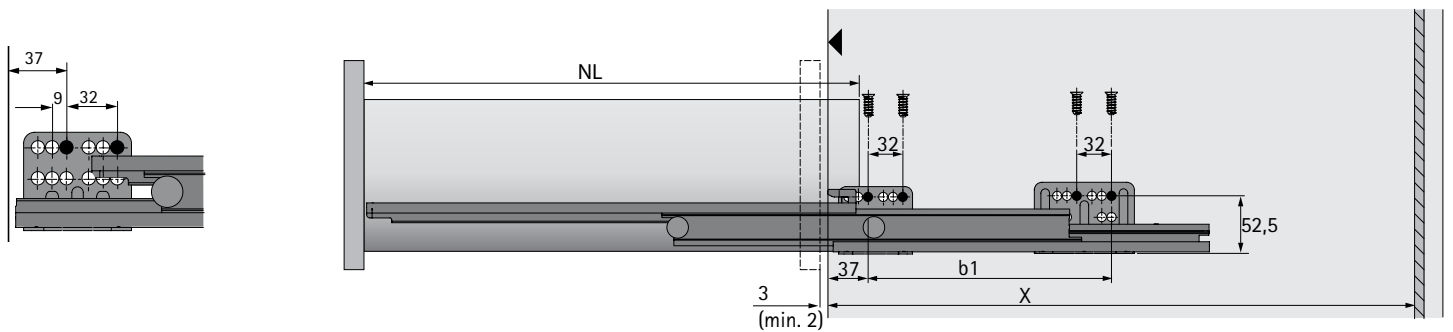
i



A	NL - 21	NL - 24,5
B	LB - 2 x EB - 52	LB - 2 x EB - 52
C	-	LB - 2 x EB - 63,5
D	-	68,5 mm

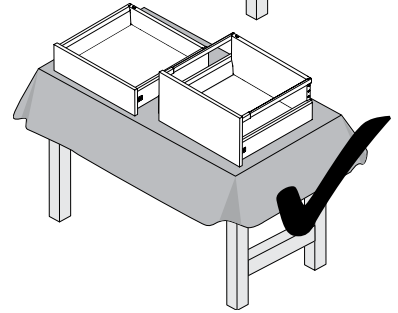
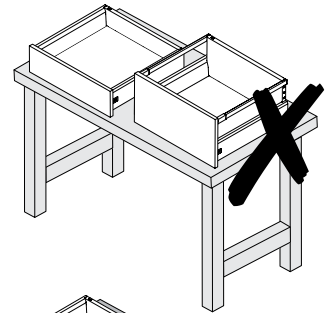
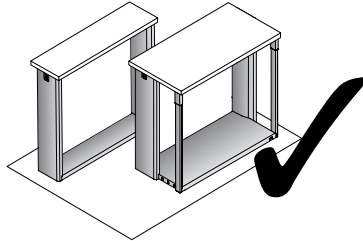
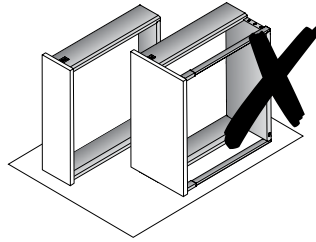
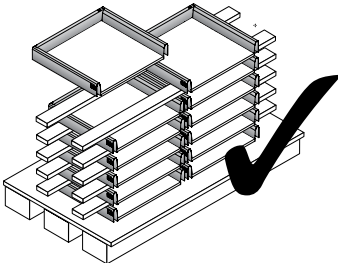
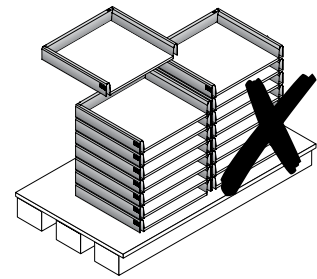


<b>KD mm</b>	16	18	19
<b>EB mm</b>	15	13	12
<b>A mm</b>	23	21	20

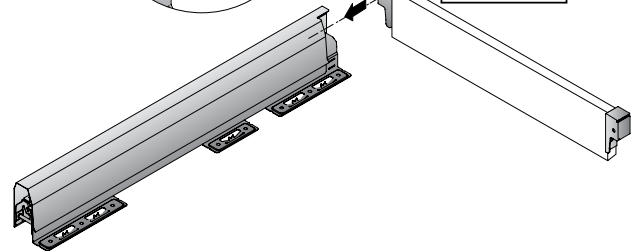
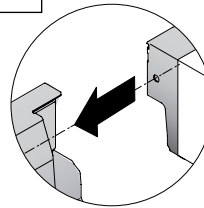
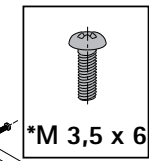
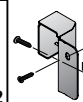
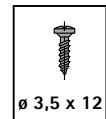
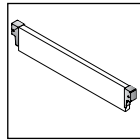
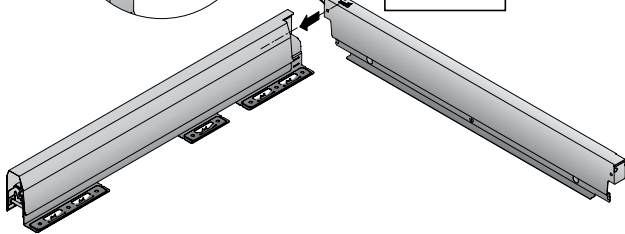
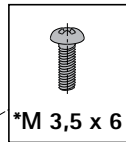
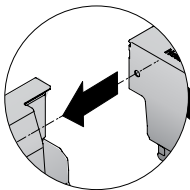
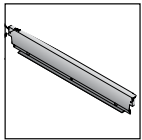


NL mm	b1 mm	X
270	128	273
300	160	303
350	192	353
400	192	403
450	192	453
500	224	503
550	256	553
650	288	653

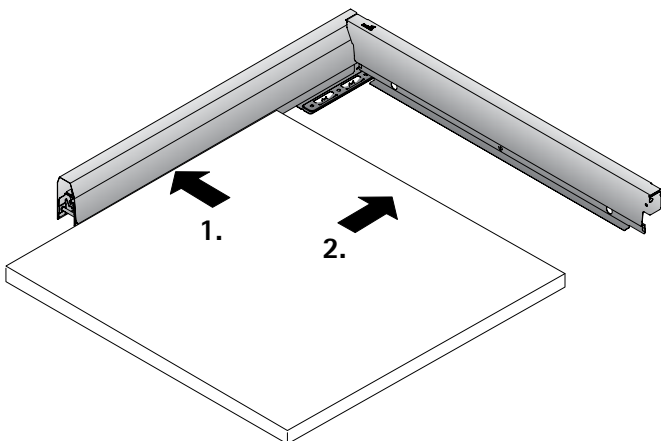
i



1



2



3

