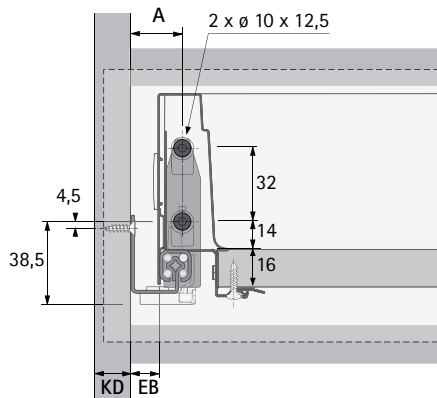
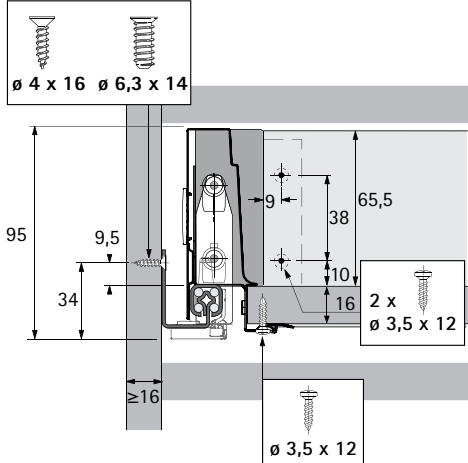


i

Quadro 25



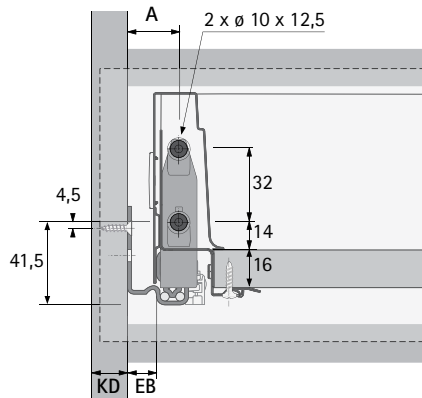
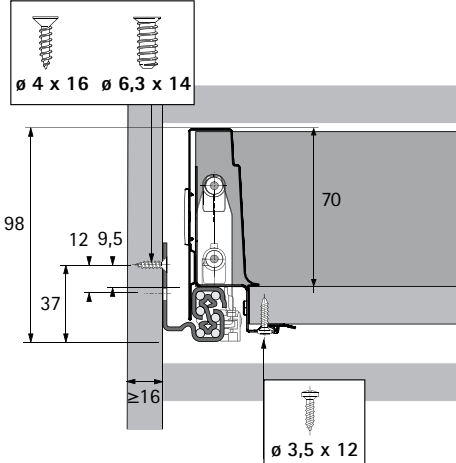
Holzrückwand /
Wooden rear panel



Quadro V6



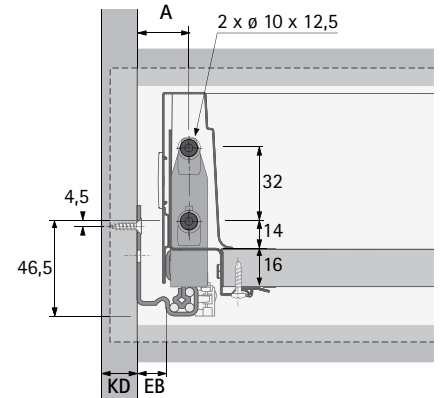
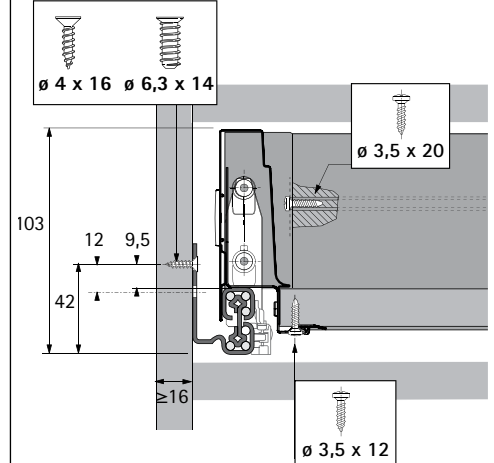
Stahlrückwand /
Steel rear panel



Quadro V6+

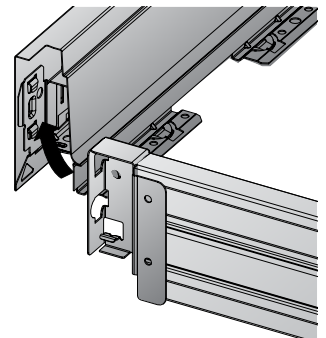
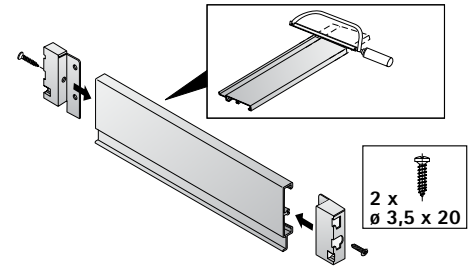
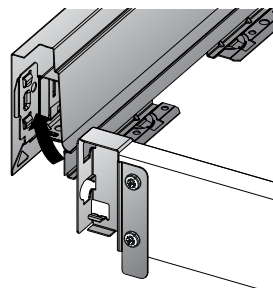
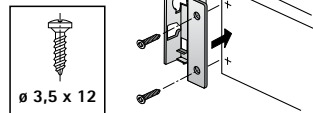
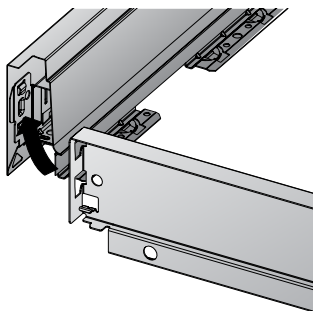


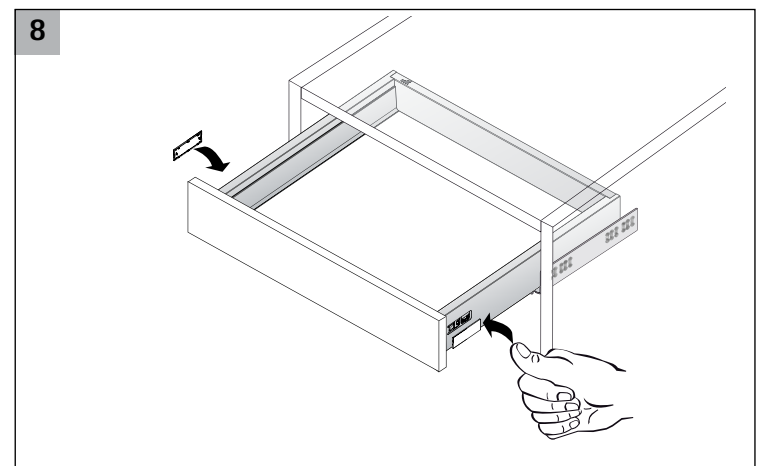
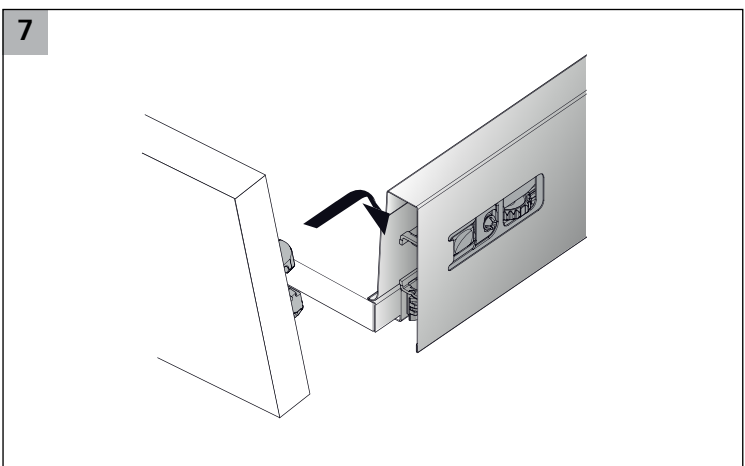
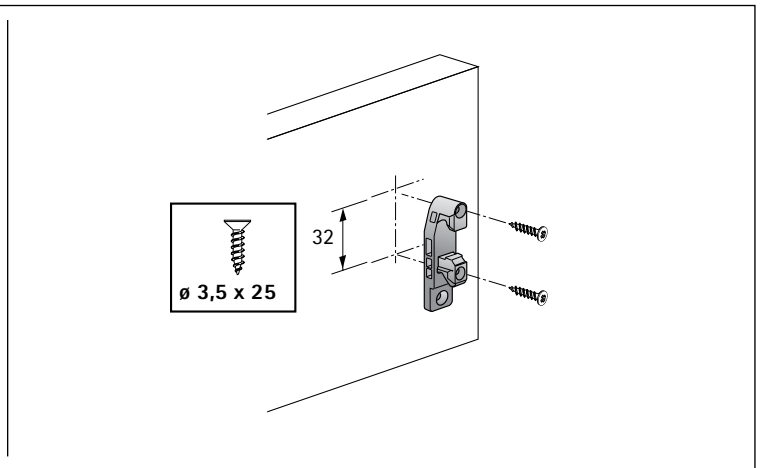
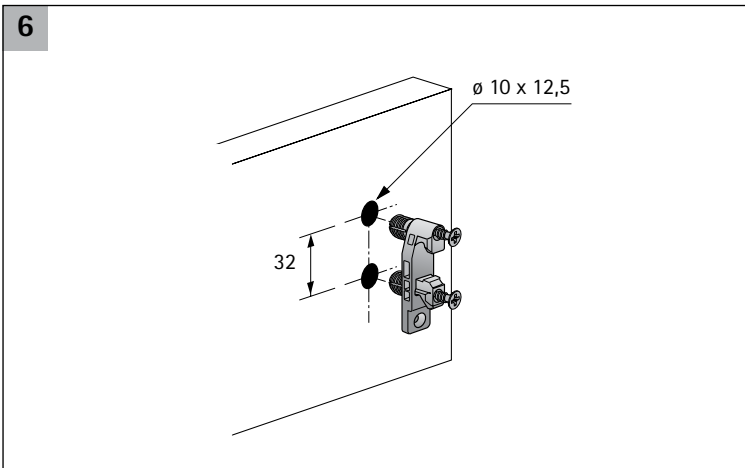
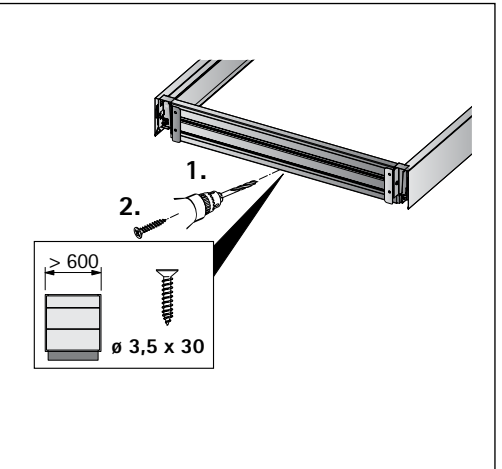
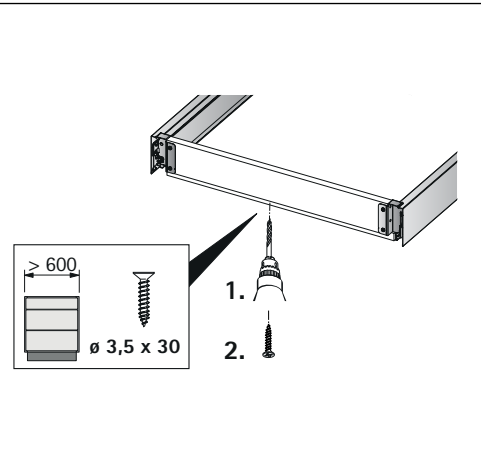
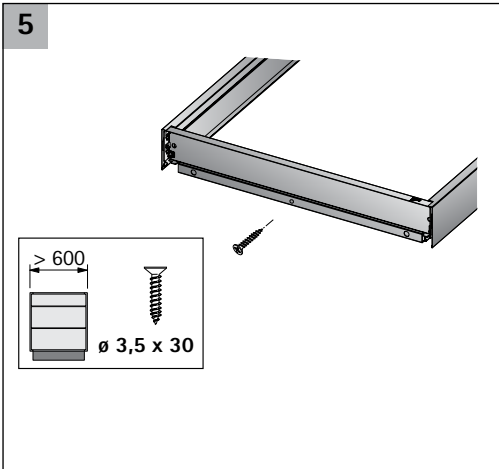
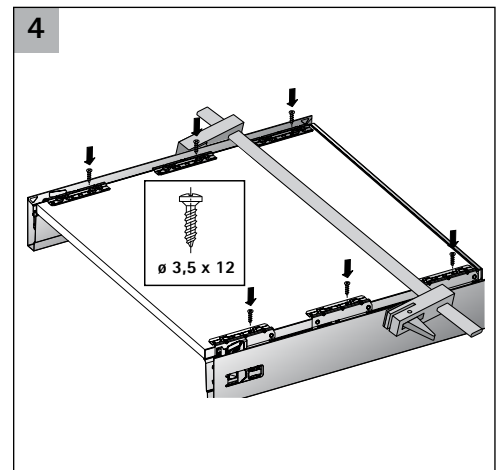
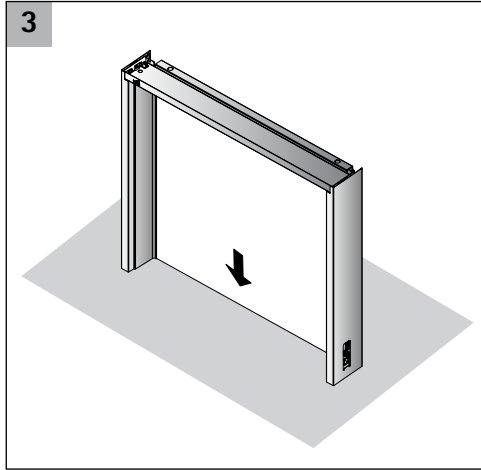
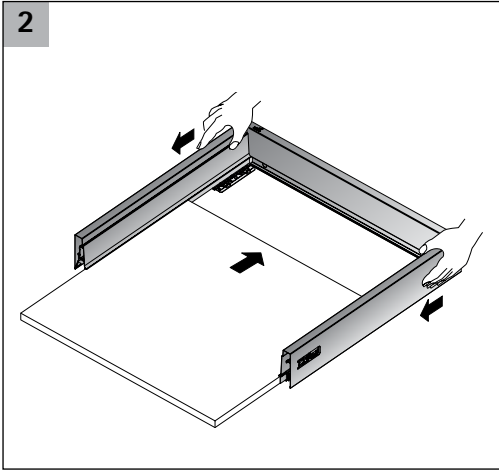
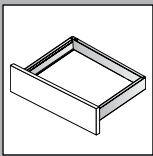
Aluminiumrückwand /
Aluminium rear panel

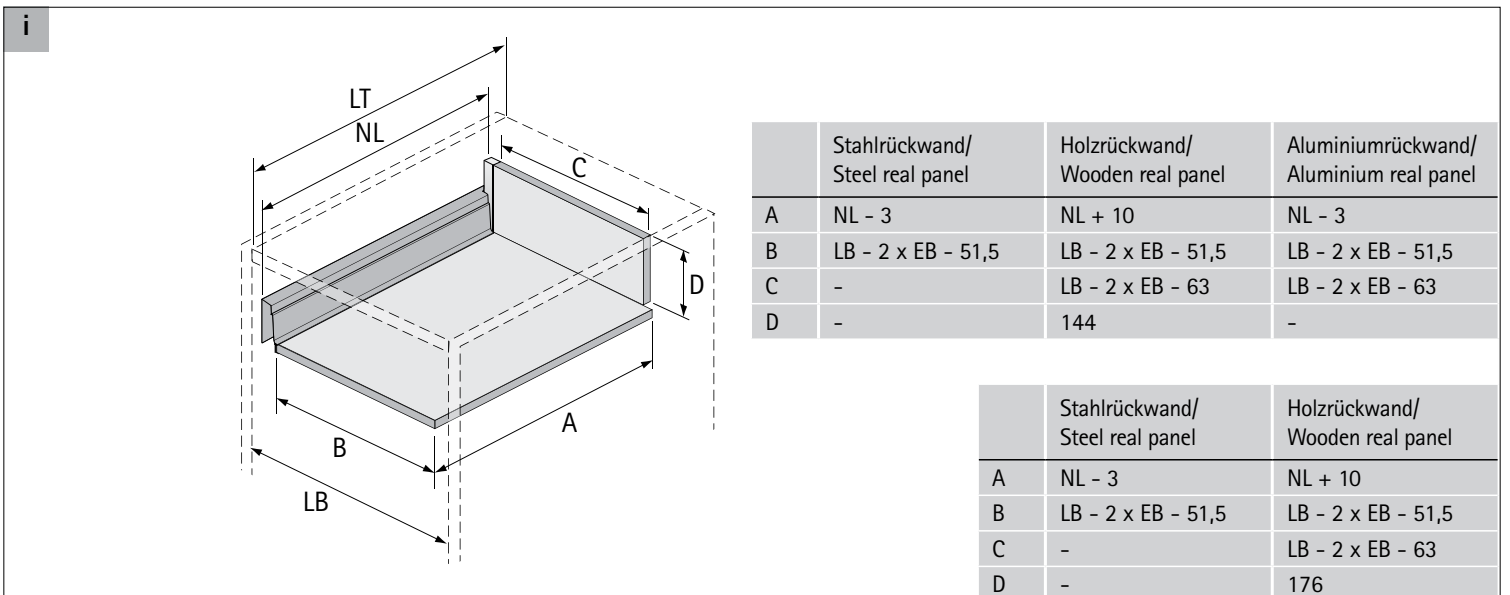
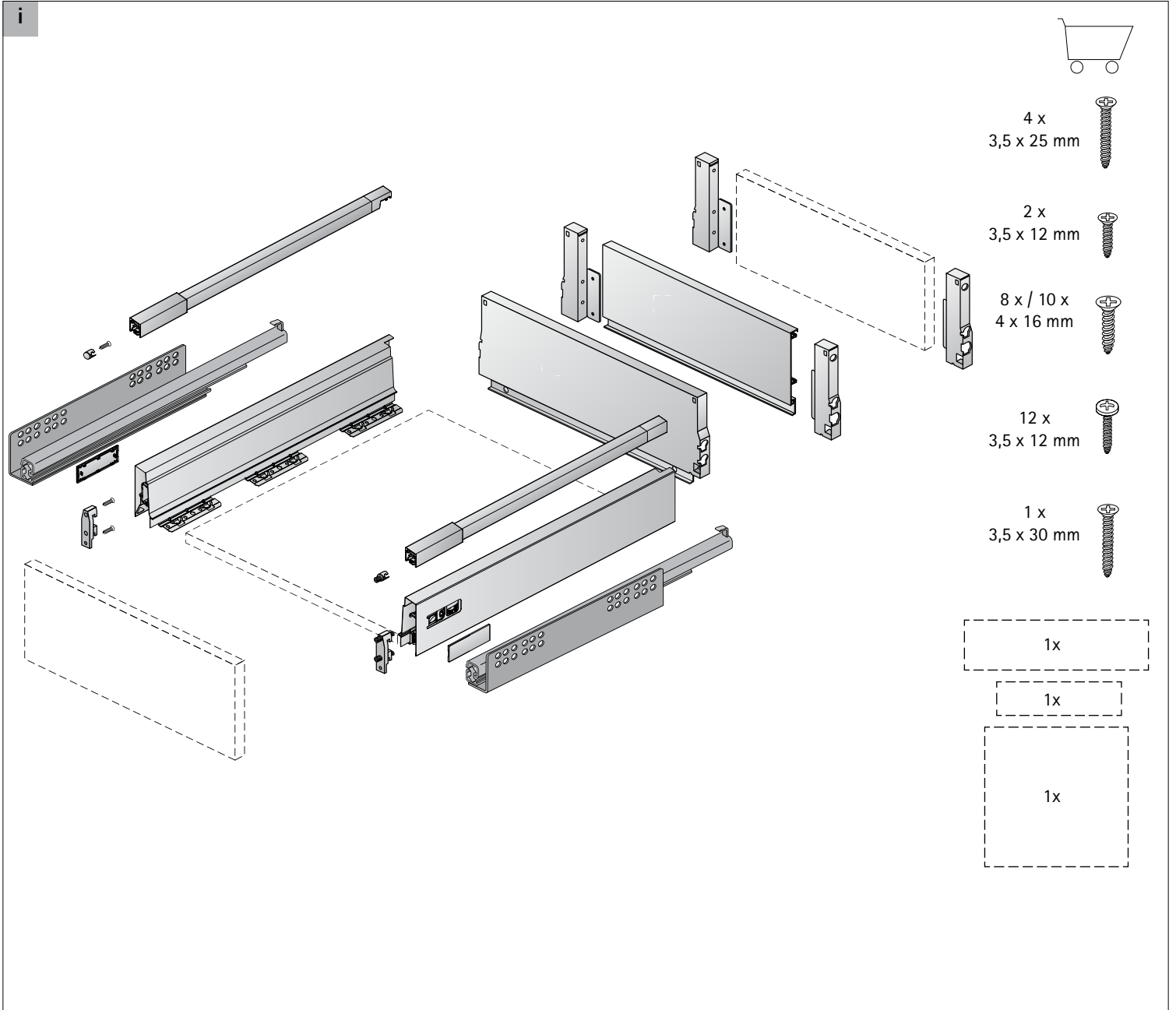
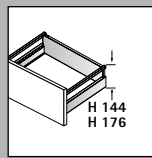


KD mm	16	18	19
EB mm	12,5	10,5	9,5
A mm	23	21	20

1





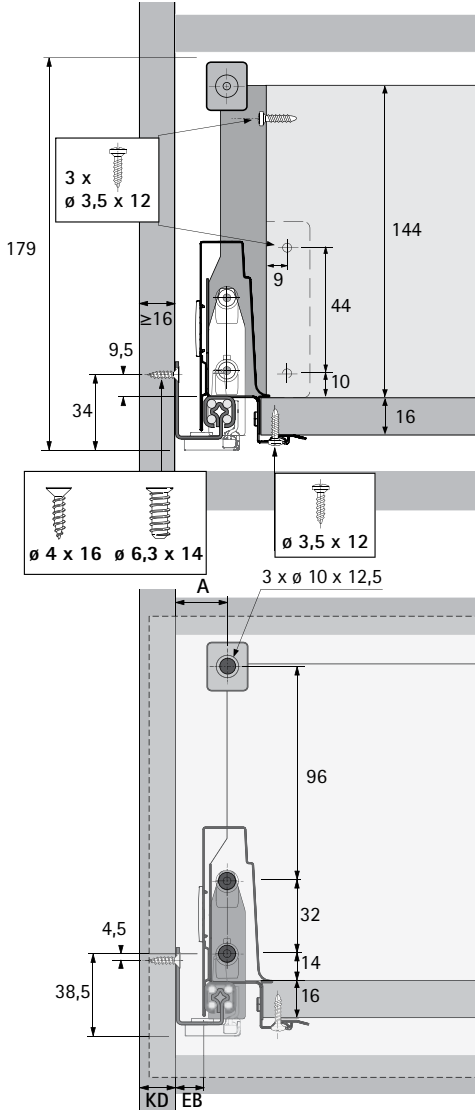


i

Quadro 25



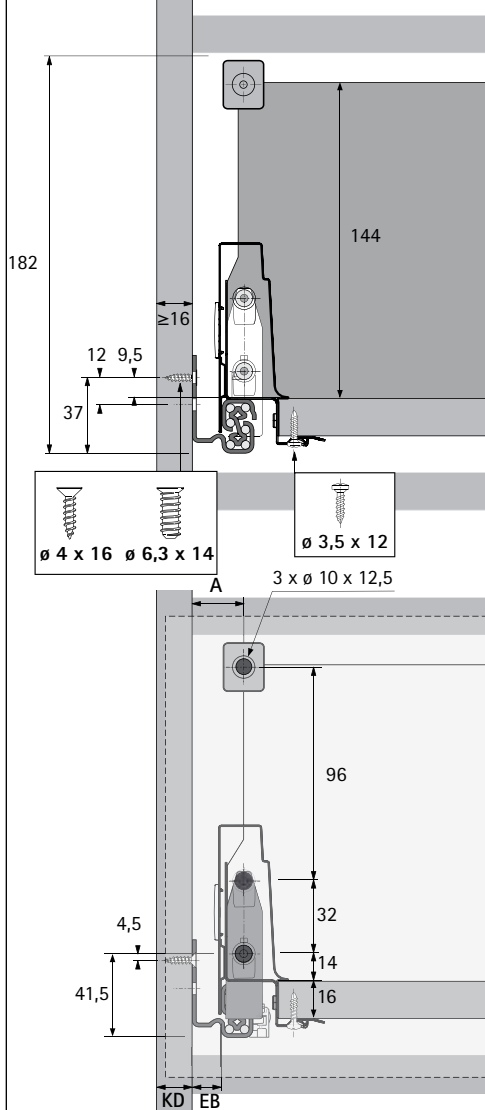
Quadro 25
Holzrückwand /
Wooden rear panel



Quadro V6



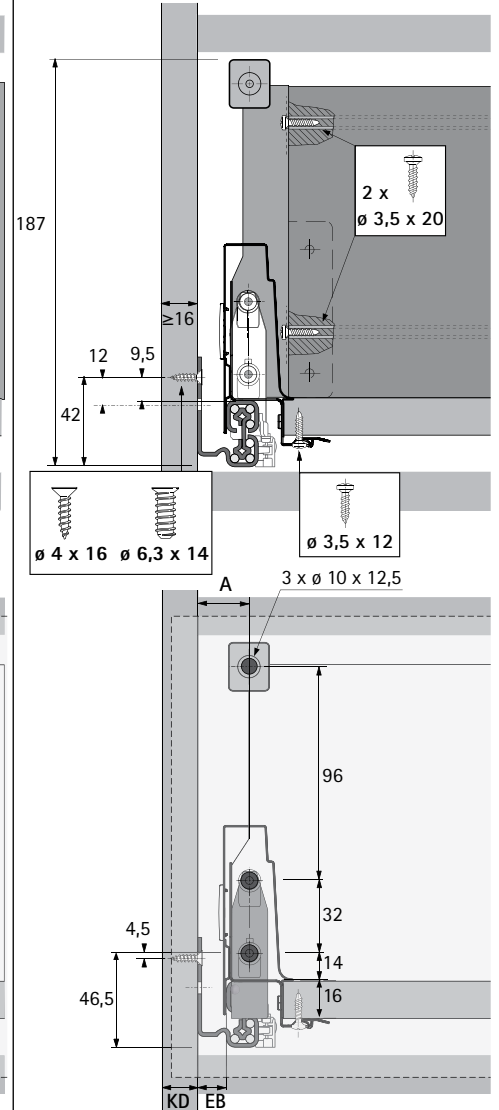
Quadro V6
Stahlrückwand /
Steel rear panel



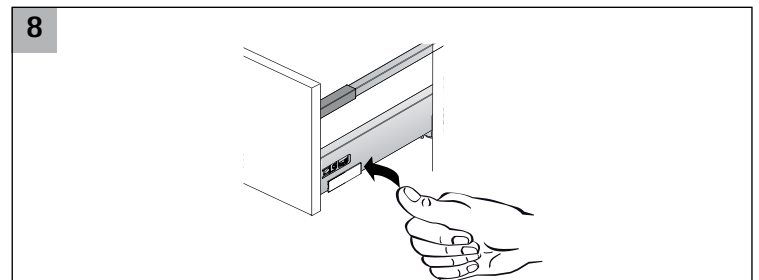
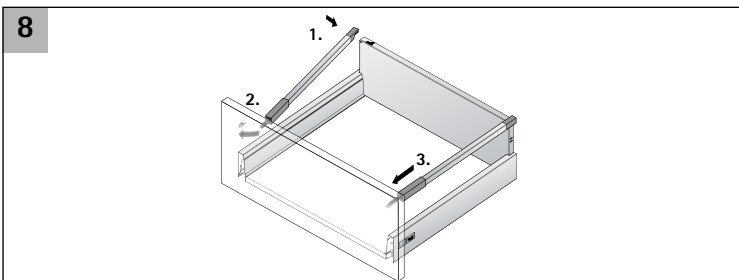
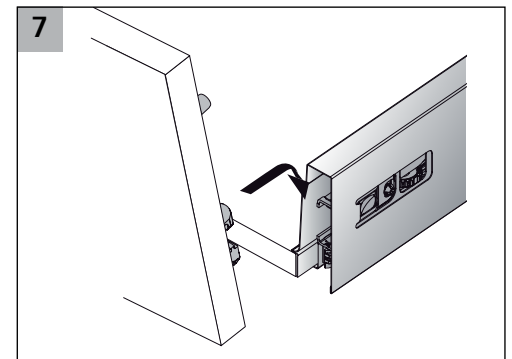
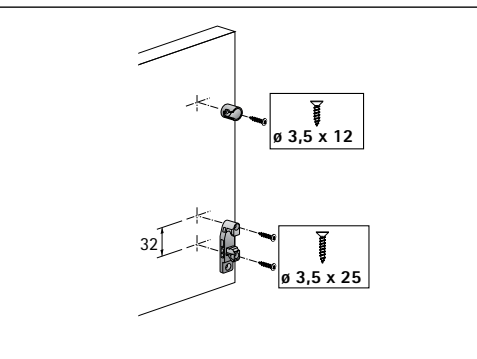
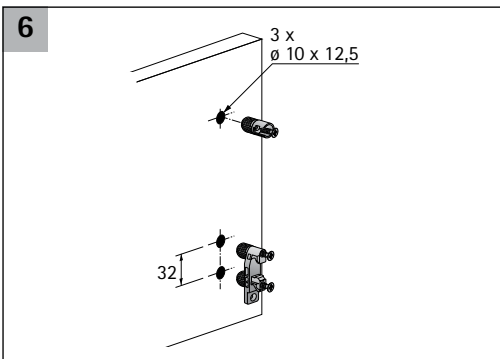
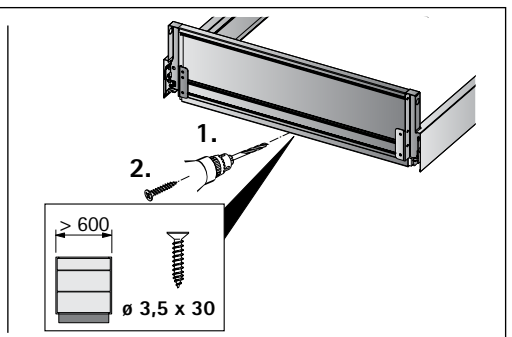
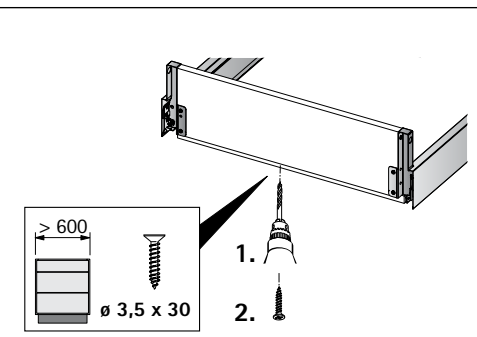
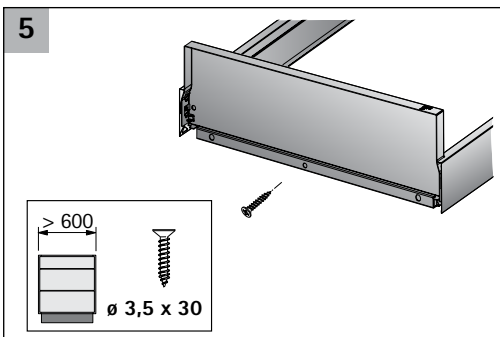
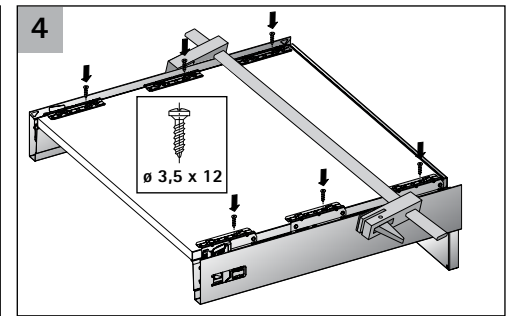
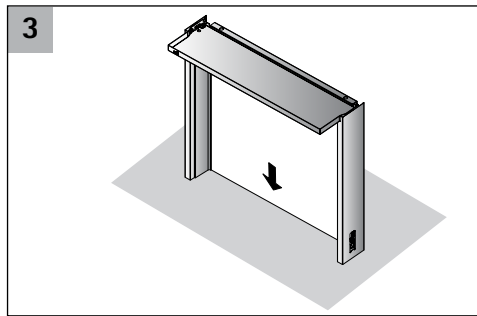
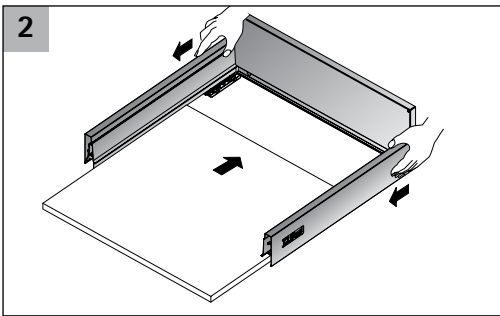
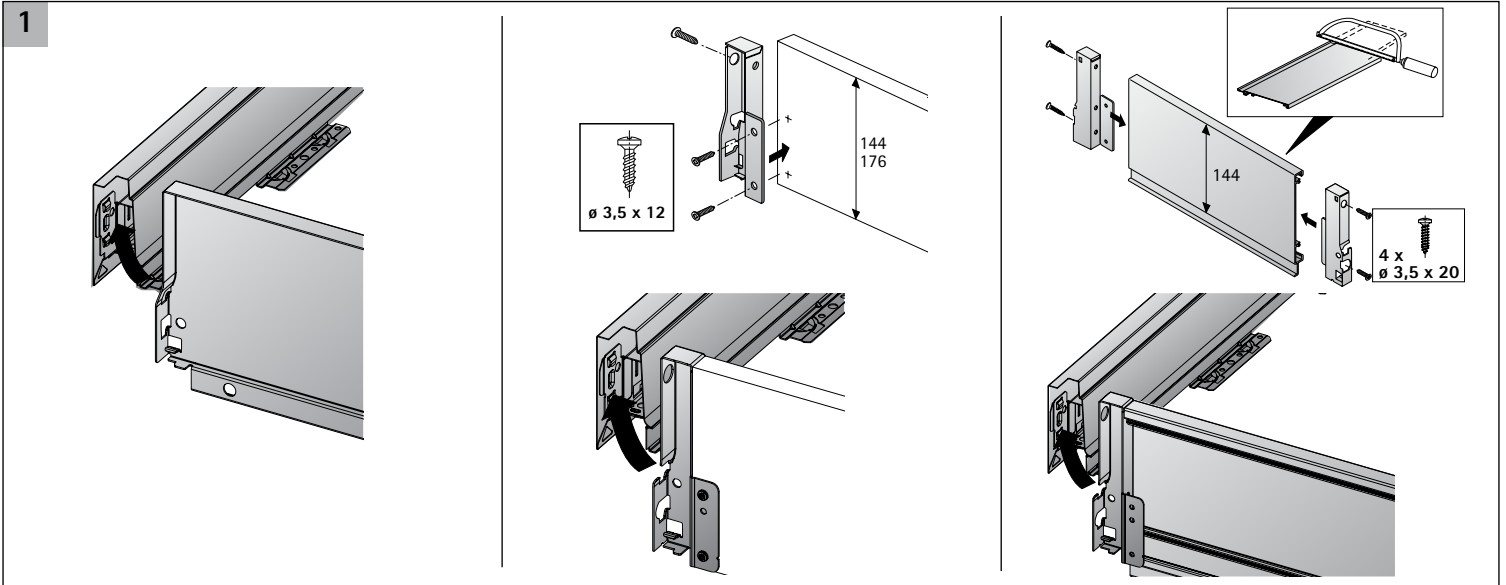
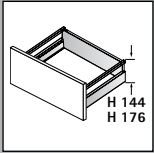
Quadro V6+



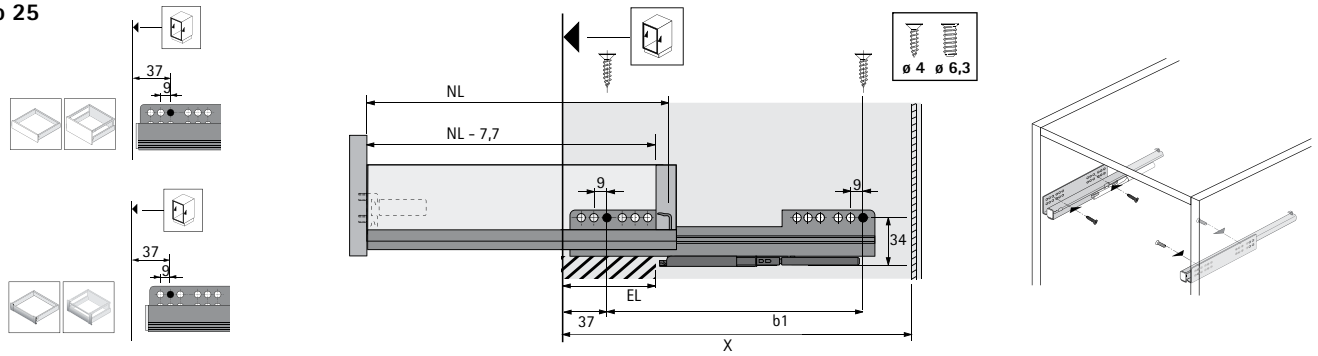
Quadro V6+
Aluminiumrückwand /
Aluminium rear panel



KD mm	16	18	19
EB mm	12,5	10,5	9,5
A mm	23	21	20

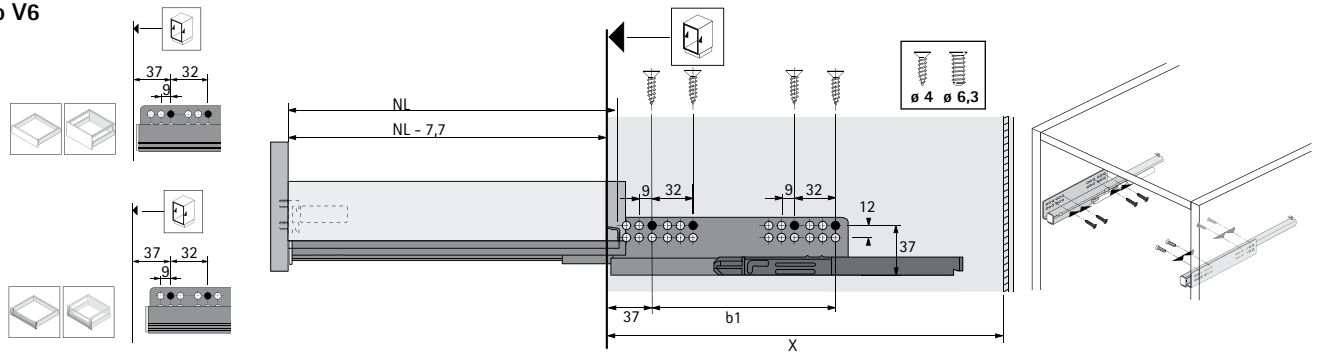


i Quadro 25



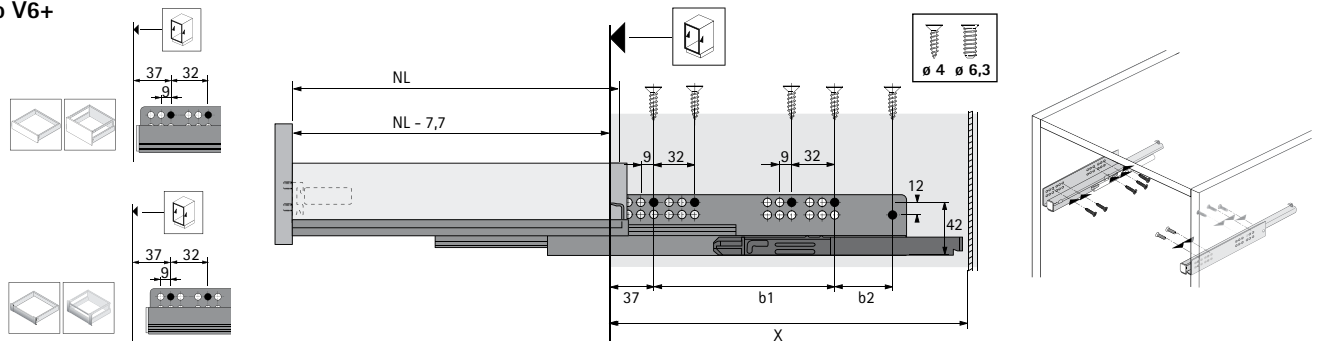
NL mm	b1 mm	EL mm	X mm		X mm	
260	128	50	279		288	
300	160	79	315		324	
350	160	74	365		374	
420	256	86	435		444	
470	256	98	485		494	
520	256	110	535		544	

Quadro V6



NL mm	b1 mm	X mm		X mm	
260	160	279		288	
300	160	315		324	
350	160	365		374	
420	224	435		444	
470	256	485		494	
520	256	535		544	

Quadro V6+



NL mm	b1 mm	b2 mm	X mm		X mm	
300	160	-	315		324	
350	192	-	365		374	
420	224	-	435		444	
470	256	-	485		494	
520	256	-	535		544	
620	352	64	635		644	

