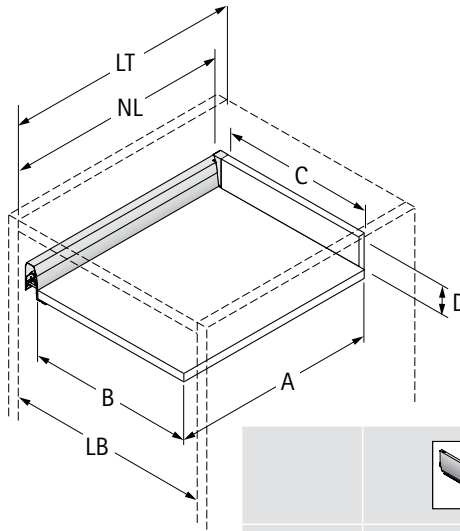
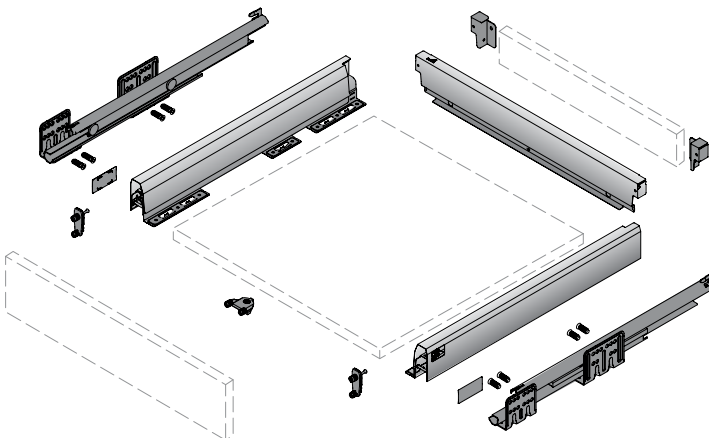
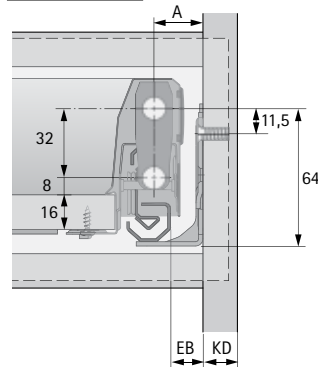
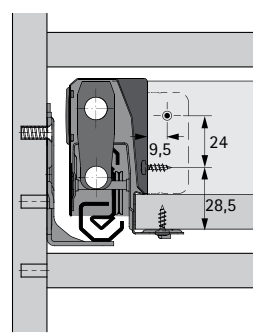
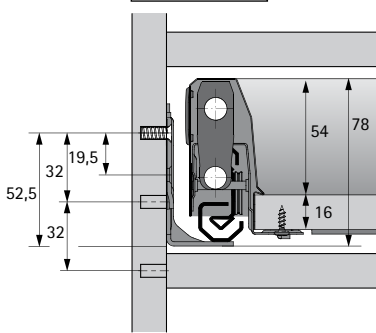
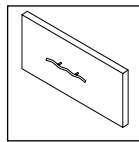
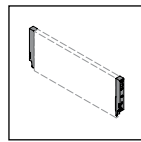
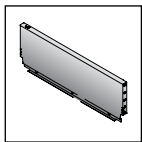


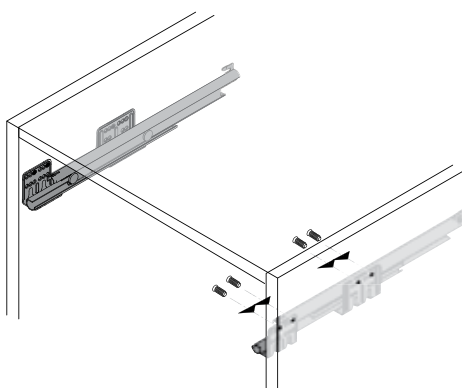
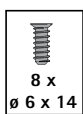
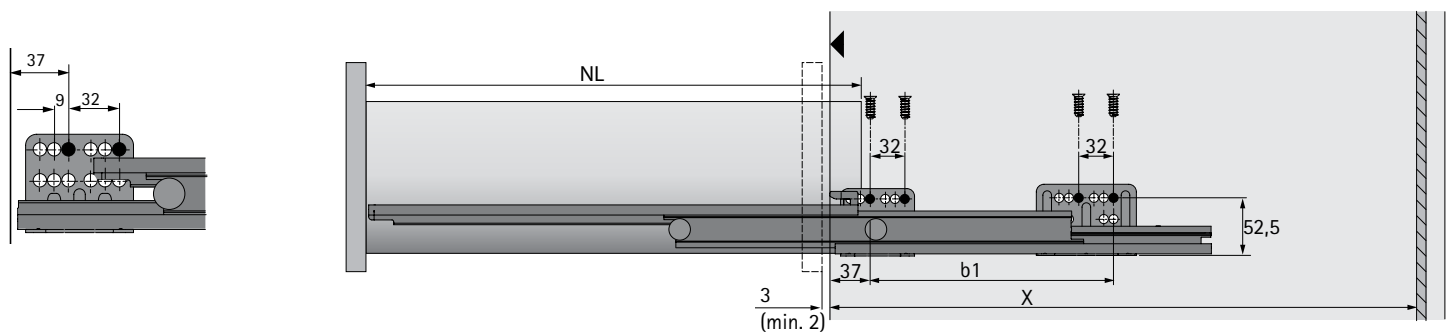
i



A	NL - 21	NL - 24,5
B	LB - 2 x EB - 52	LB - 2 x EB - 52
C	-	LB - 2 x EB - 63,5
D	-	68,5 mm

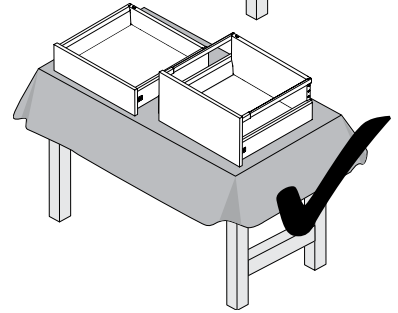
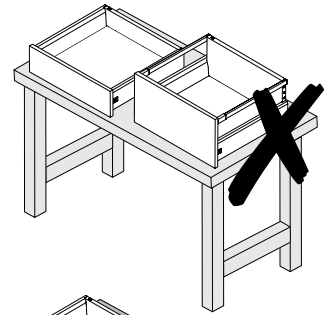
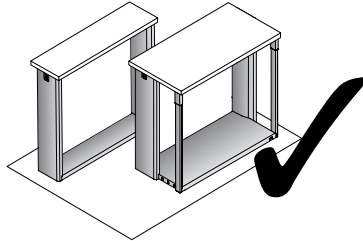
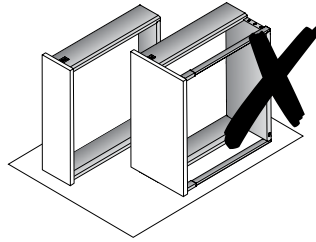
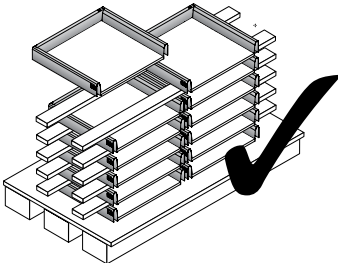
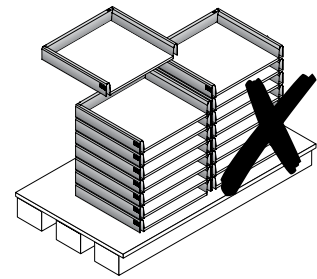


KD mm	16	18	19
EB mm	15	13	12
A mm	23	21	20

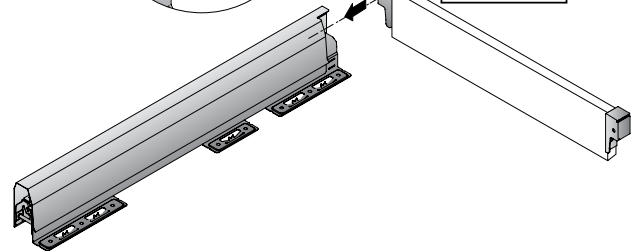
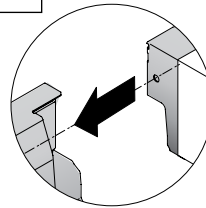
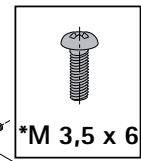
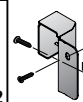
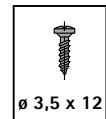
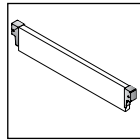
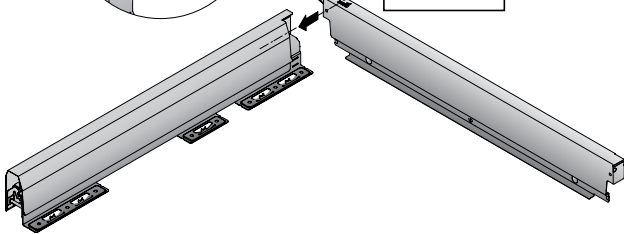
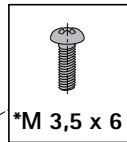
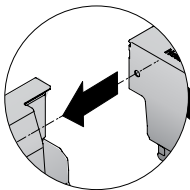
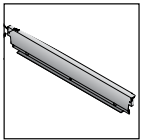


NL mm	b1 mm	X
270	128	273
300	160	303
350	192	353
400	192	403
450	192	453
500	224	503
550	256	553
650	288	653

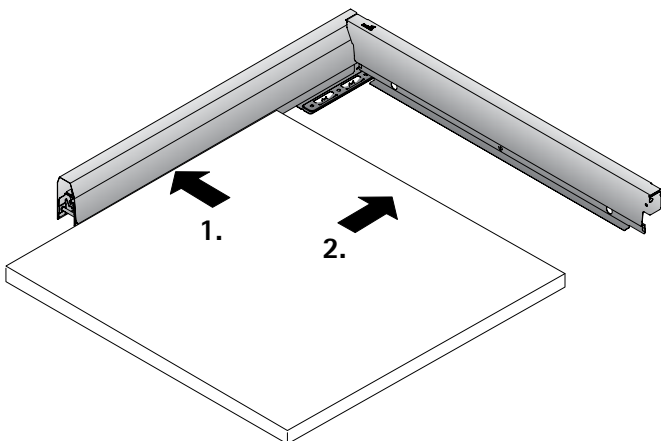
i



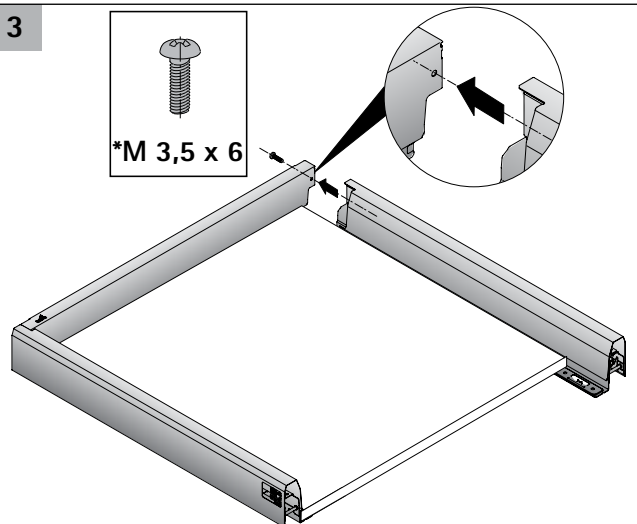
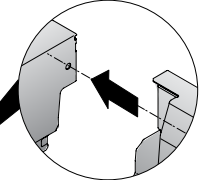
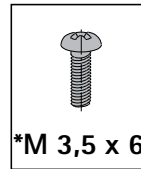
1



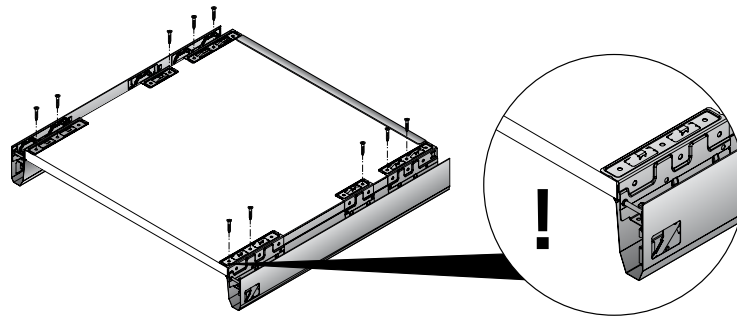
2



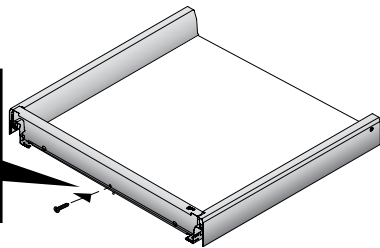
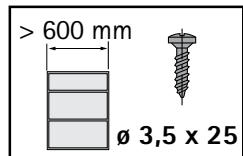
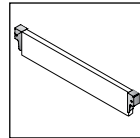
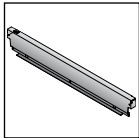
3



4

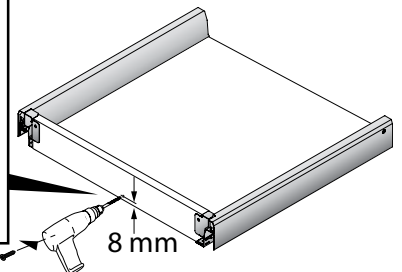


5

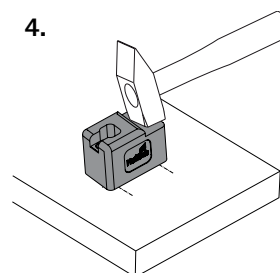
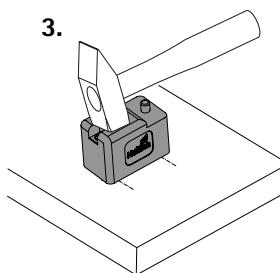
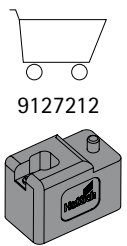
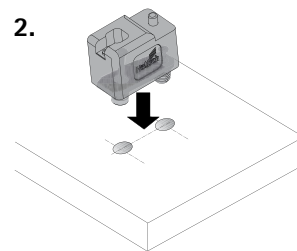
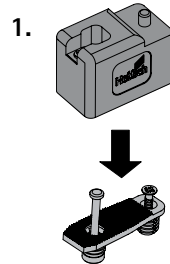
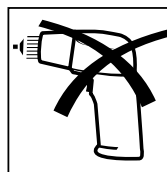
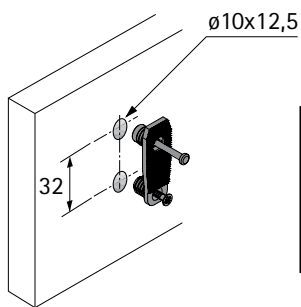


< 600 mm	1 x
≥ 600 mm	2 x
≥ 900 mm	3 x
= 1200 mm	4 x

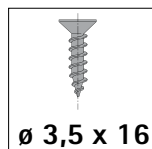
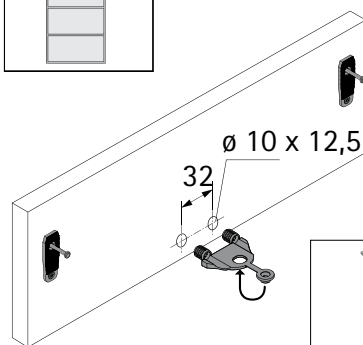
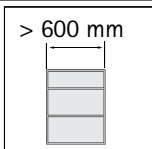
$\varnothing 3,5 \times 40$



6



i



7

