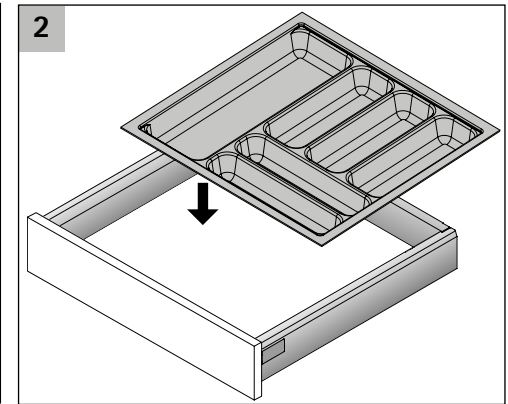
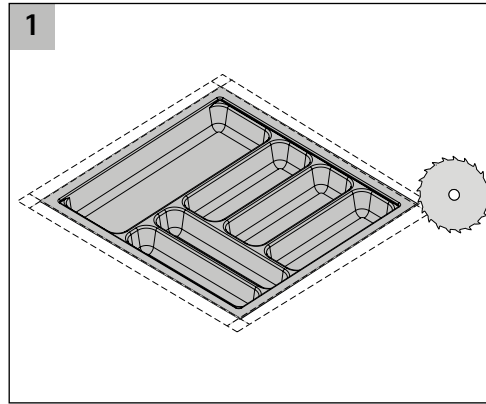
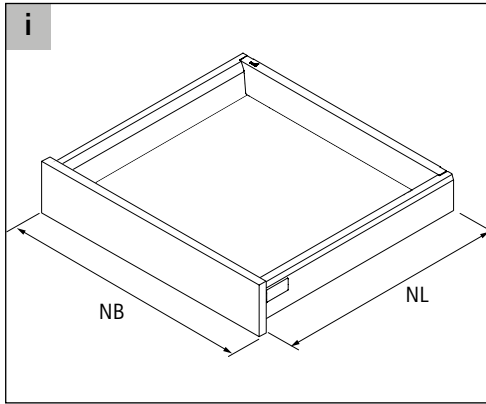


# OrgaTray 440



**i**

|       |         |         |         |         |         |         |         |         |         |         |         |         |           |   |   |
|-------|---------|---------|---------|---------|---------|---------|---------|---------|---------|---------|---------|---------|-----------|---|---|
| T     | 370     |         |         |         |         |         |         |         |         |         |         |         |           |   |   |
| -     | 440     |         |         |         |         |         |         |         |         |         |         |         |           |   |   |
| T     | 441     |         |         |         |         | *       | *       | *       | *       | *       | *       | *       | *         | * | * |
| -     | 520     |         |         |         |         |         |         |         |         |         |         |         |           |   |   |
| T     | 581     |         |         |         |         |         |         | *       | *       | *       | *       | *       | *         | * | * |
| -     | 620     |         |         |         |         |         |         |         |         |         |         |         |           |   |   |
| B     | 175-200 | 201-250 | 251-300 | 301-350 | 351-400 | 401-450 | 451-500 | 501-550 | 601-650 | 701-750 | 801-850 | 901-950 | 1091-1150 |   |   |
| NB IT | 275     | 300     | 350     | 400     | 450     | 500     | 550     | 600     | 700     | 800     | 900     | 1000    | 1200      |   |   |
| NB AT | 300     | 350     | 400     | 450     | 500     | 550     | 600     | 700     | 800     | 900     | 1000    | 1200    | 1200      |   |   |

\* = Einsatz von Messer- und Gewürzhaltern möglich

T = Tiefe    B = Breite    NB = Nennbreite