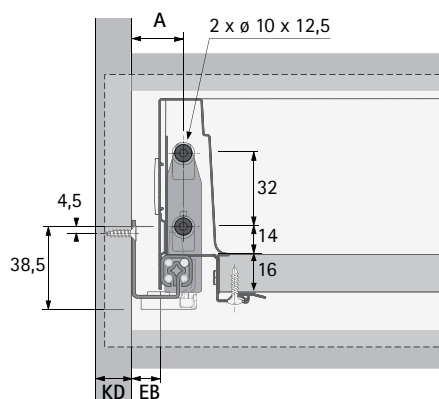
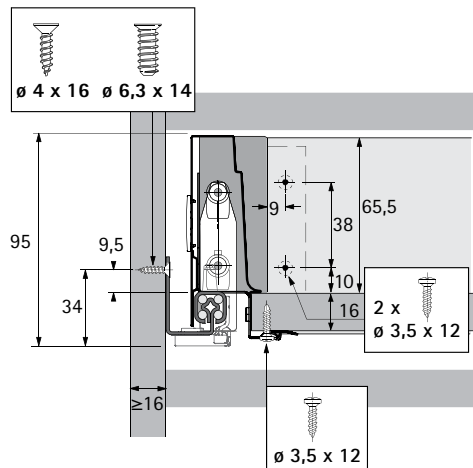


i

Quadro 25



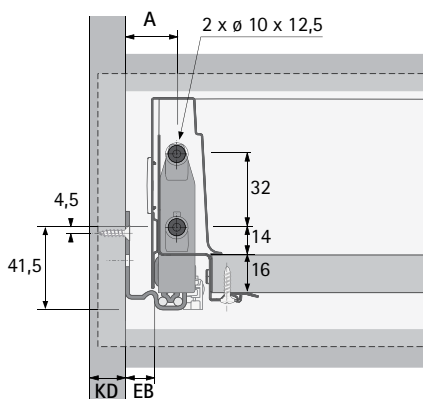
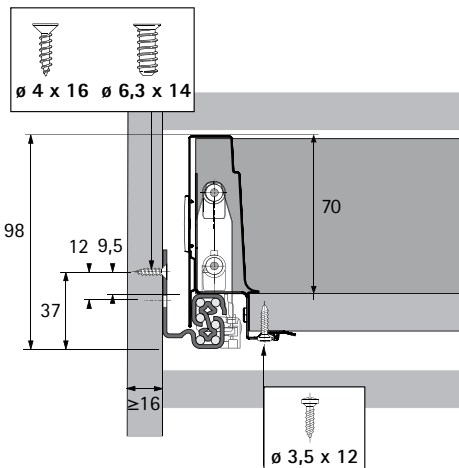
Holzrückwand /
Wooden rear panel



Quadro V6



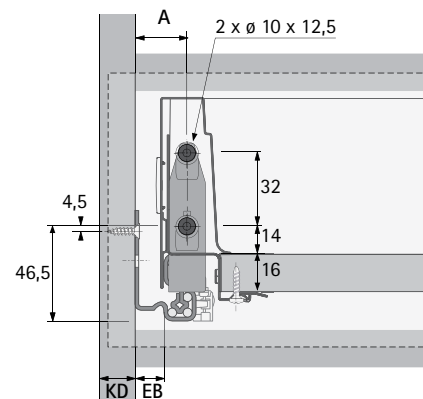
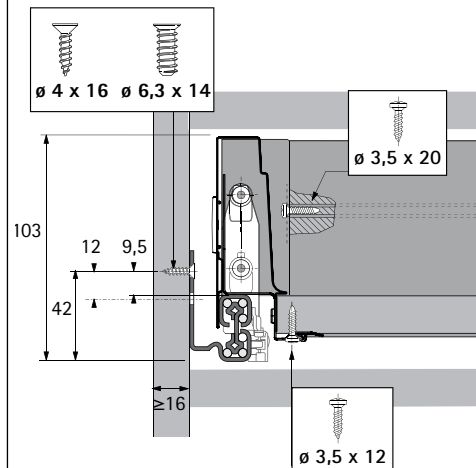
Stahlrückwand /
Steel rear panel



Quadro V6+

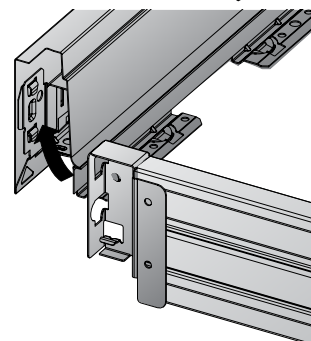
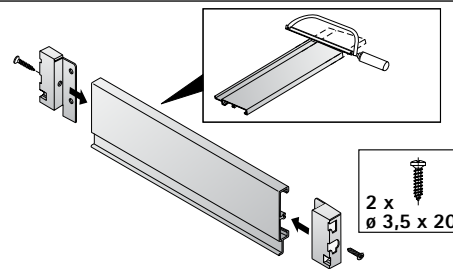
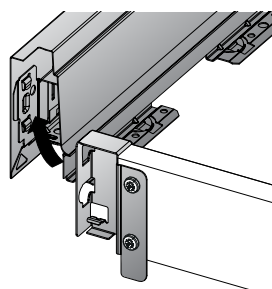
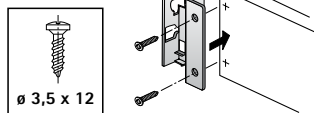
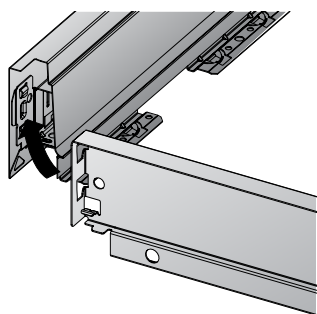


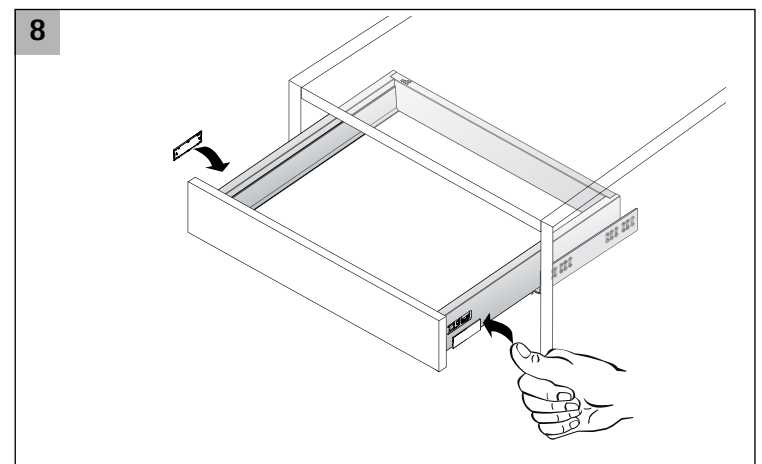
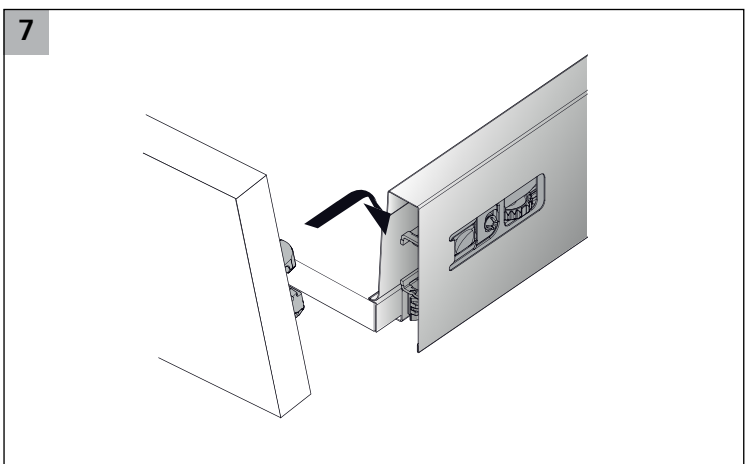
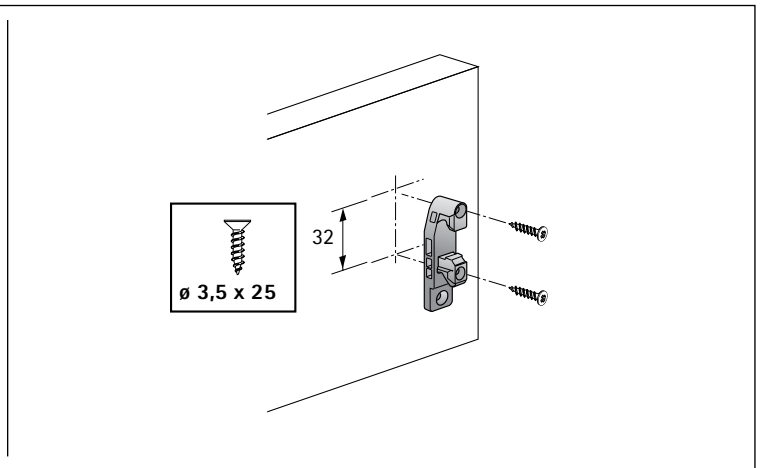
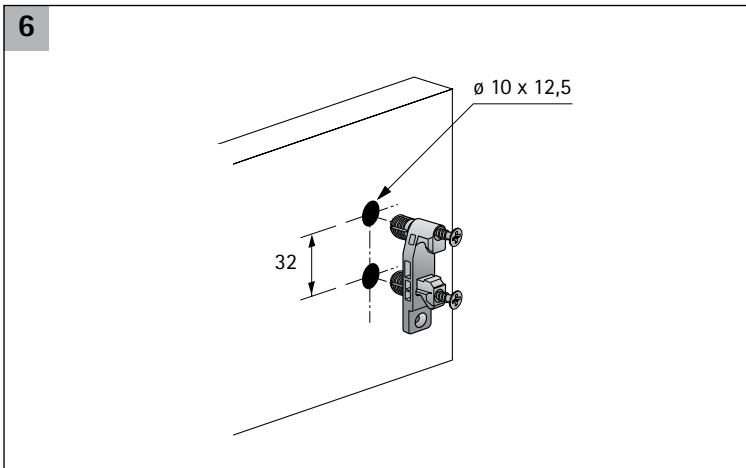
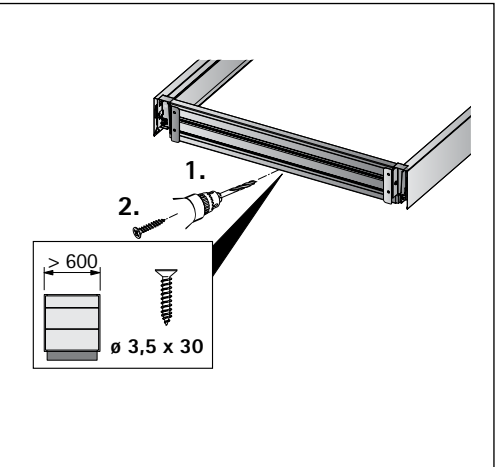
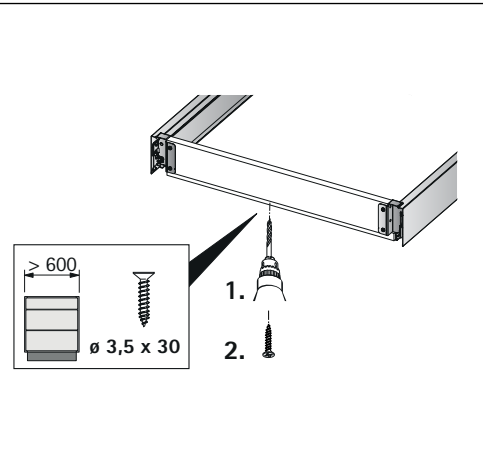
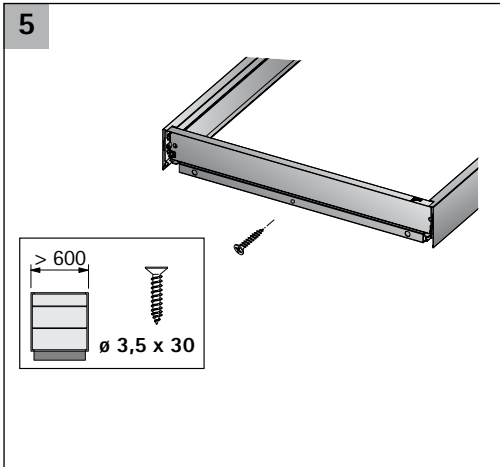
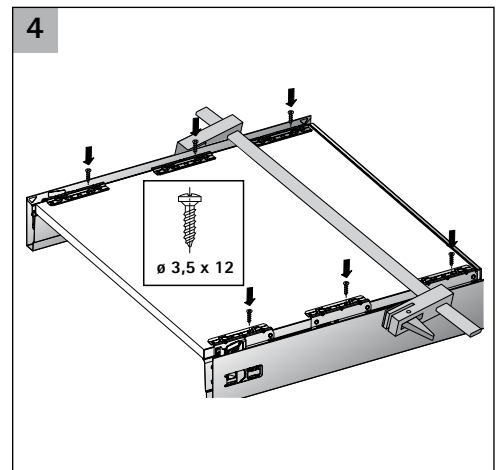
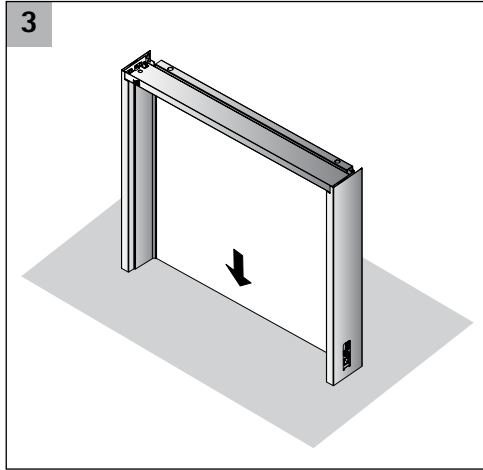
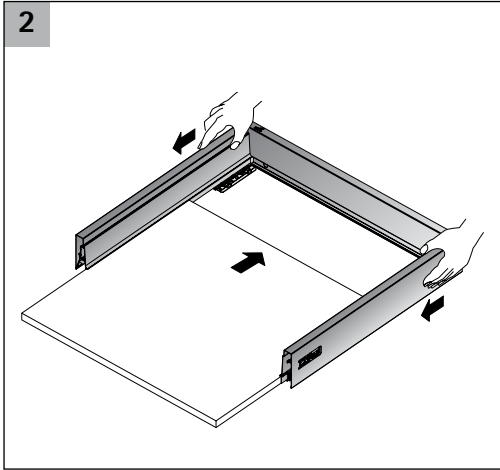
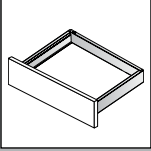
Aluminiumrückwand /
Aluminium rear panel

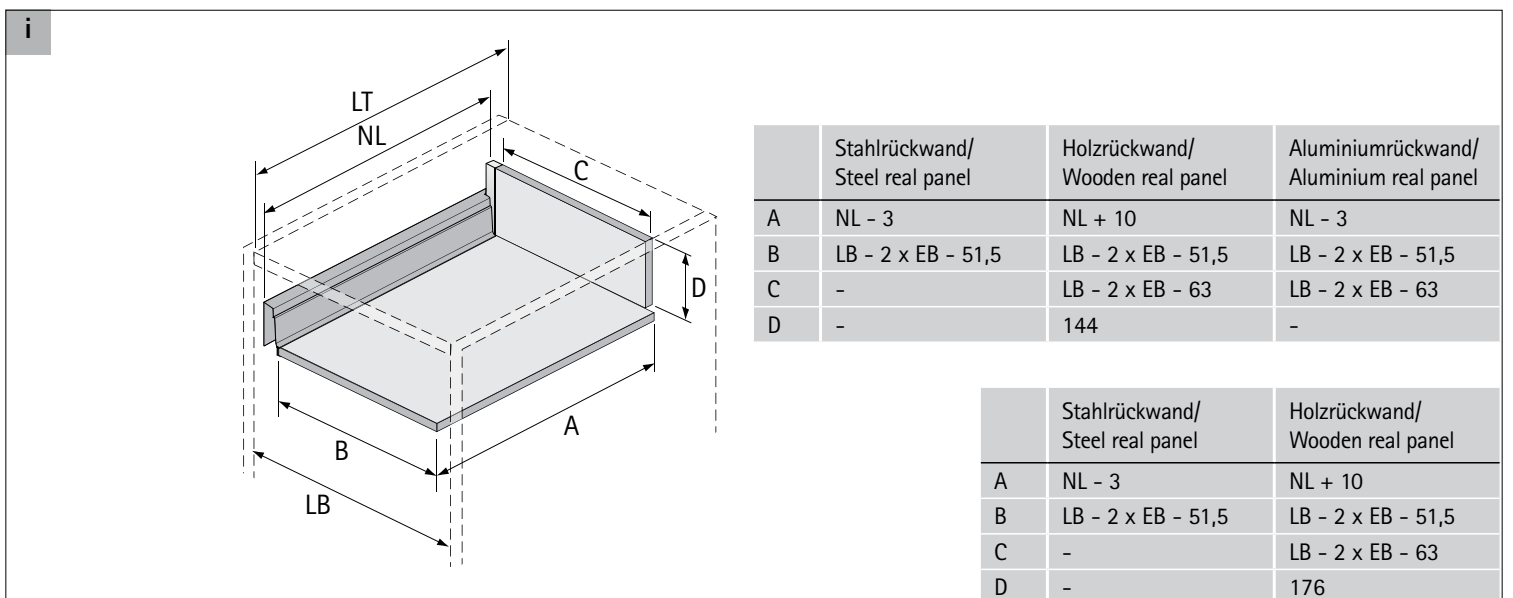
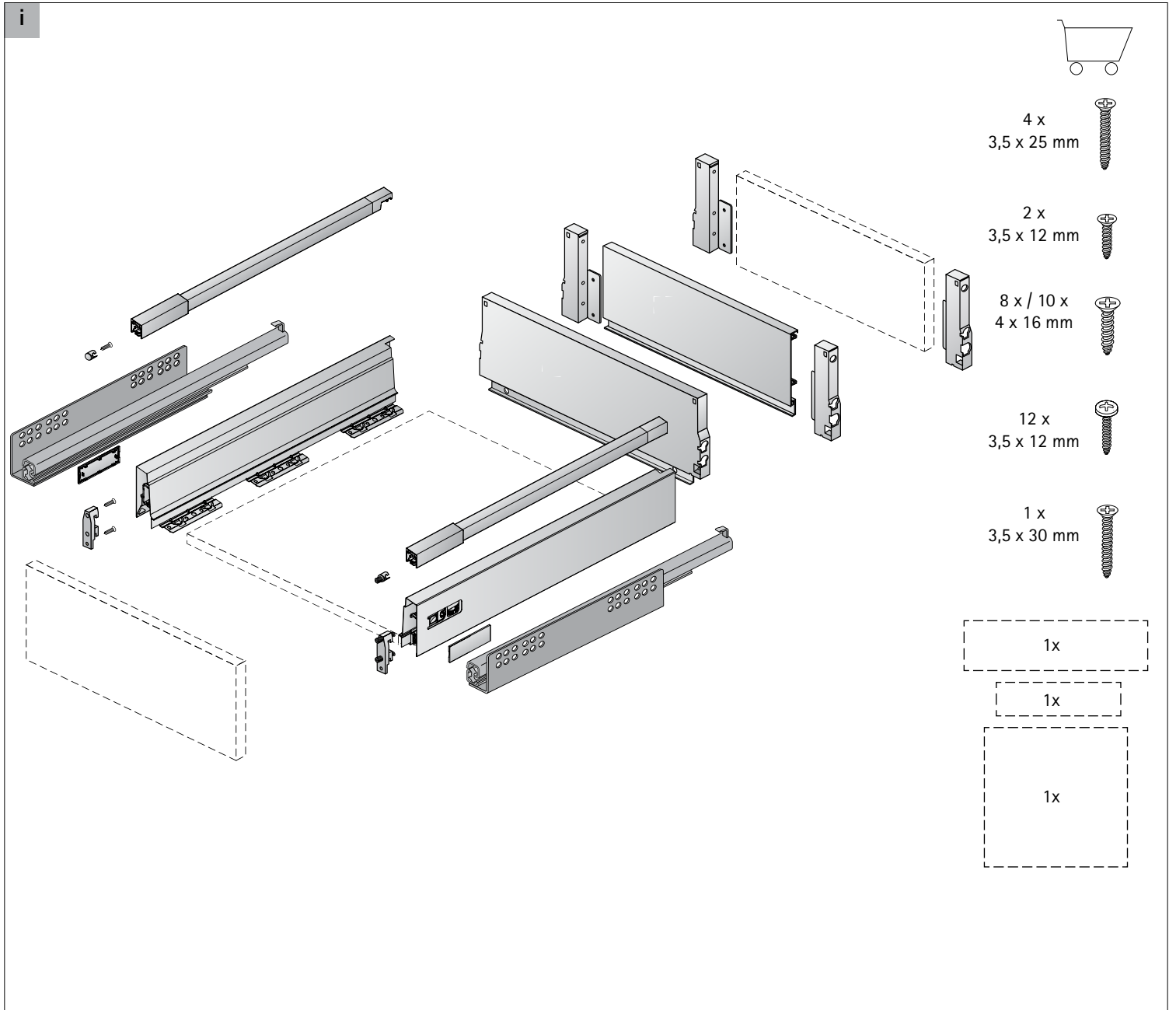
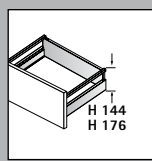


| | | | |
|-------|------|------|-----|
| KD mm | 16 | 18 | 19 |
| EB mm | 12,5 | 10,5 | 9,5 |
| A mm | 23 | 21 | 20 |

1





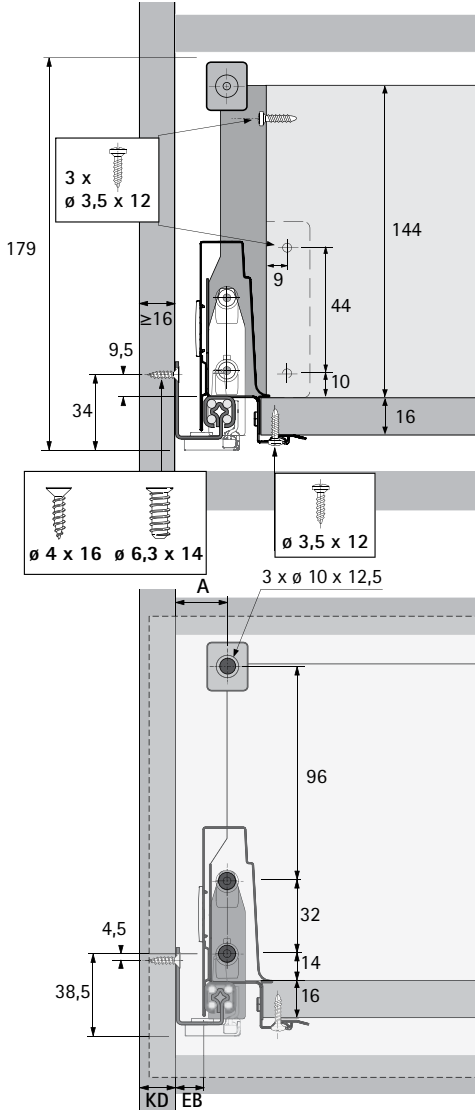


i

Quadro 25



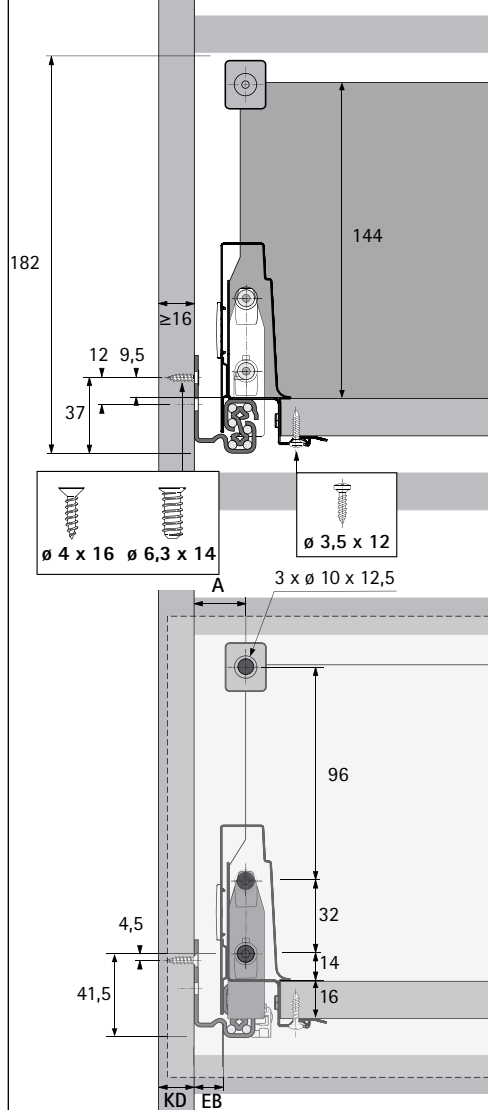
Quadro 25
Holzrückwand /
Wooden rear panel



Quadro V6



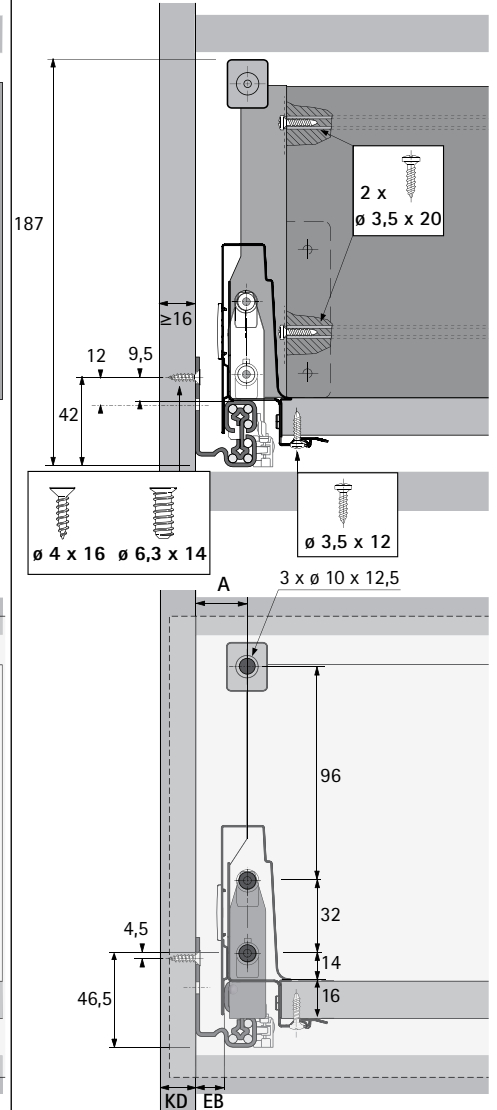
Quadro V6
Stahlrückwand /
Steel rear panel



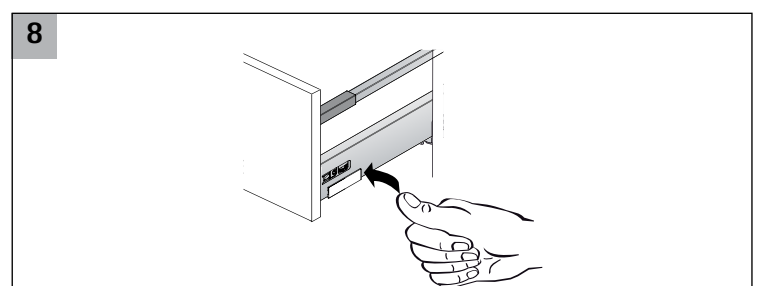
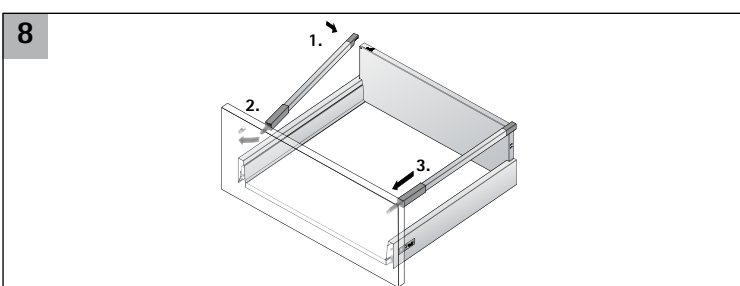
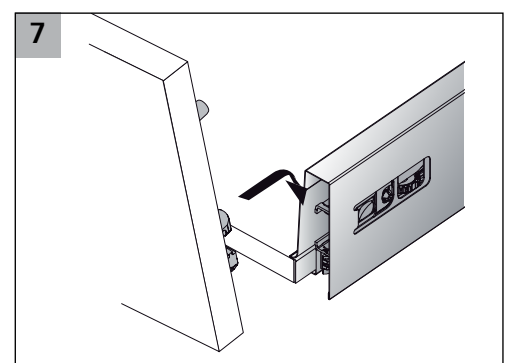
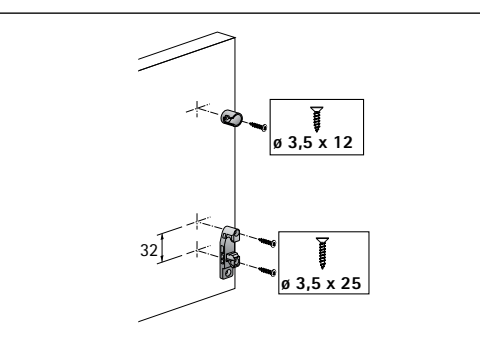
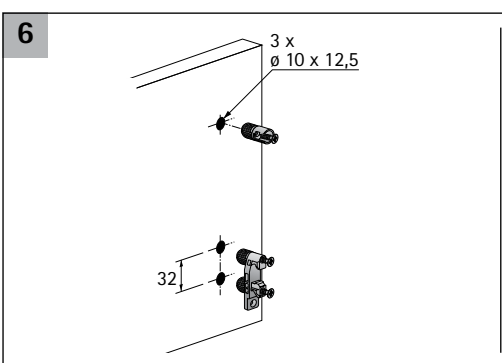
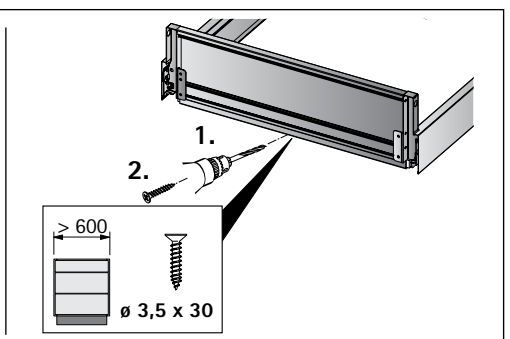
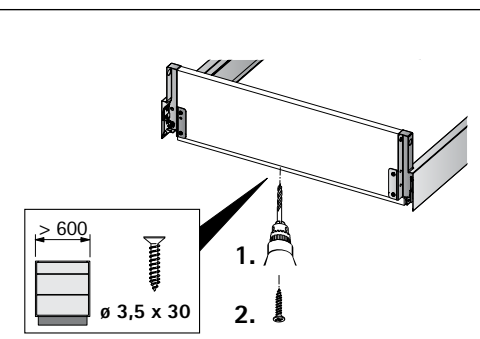
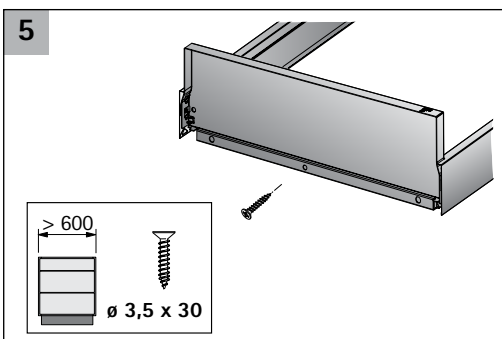
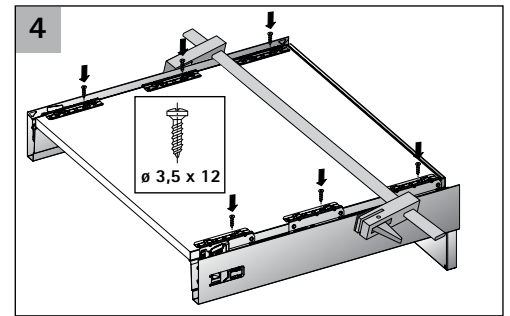
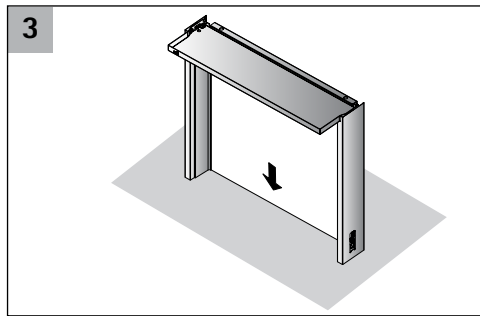
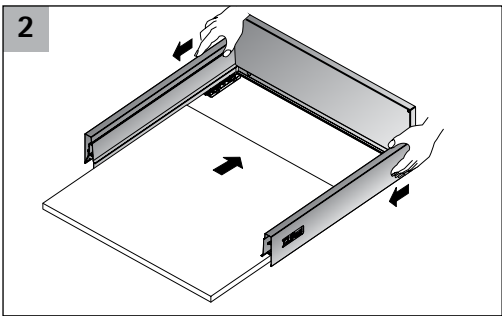
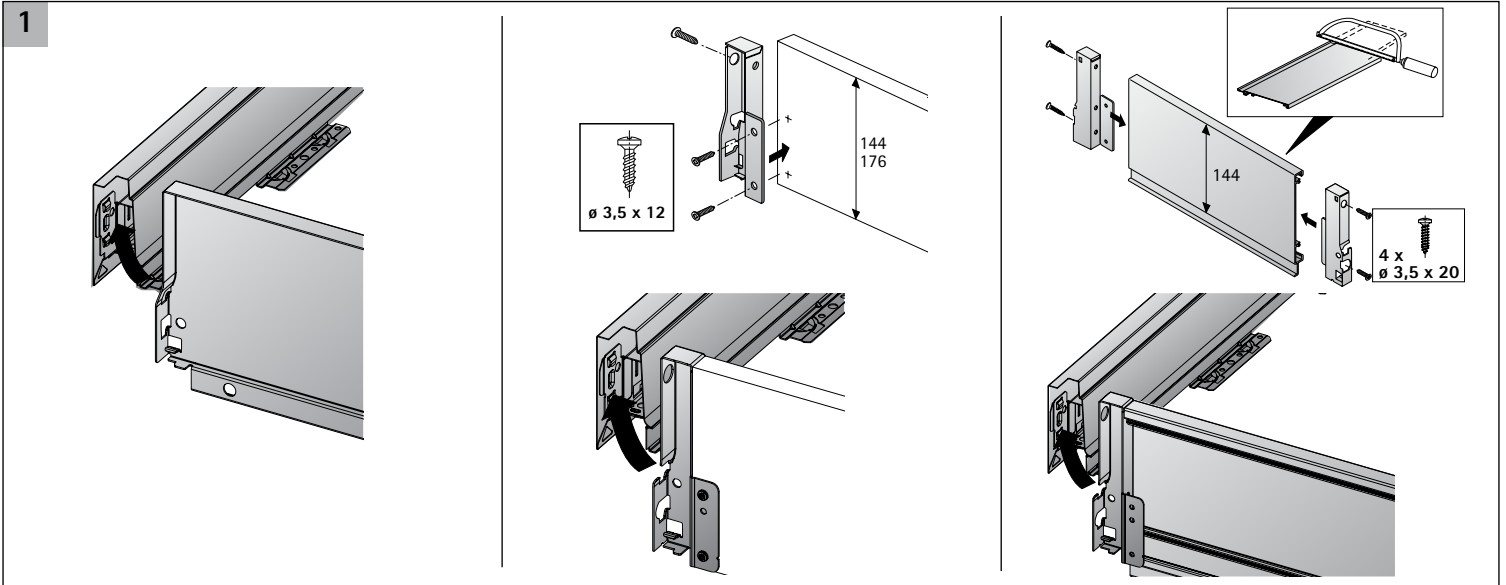
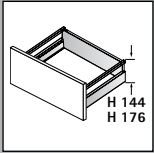
Quadro V6+



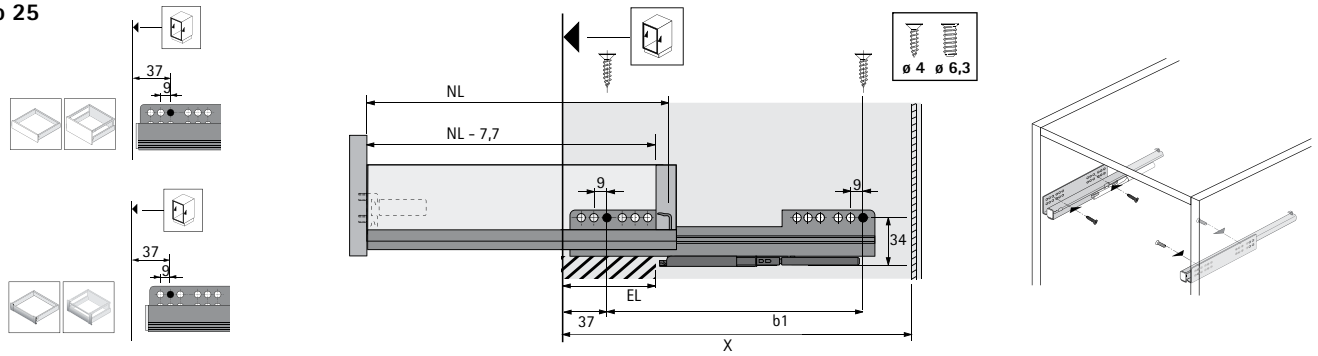
Quadro V6+
Aluminiumrückwand /
Aluminium rear panel



| | | | |
|-------|------|------|-----|
| KD mm | 16 | 18 | 19 |
| EB mm | 12,5 | 10,5 | 9,5 |
| A mm | 23 | 21 | 20 |

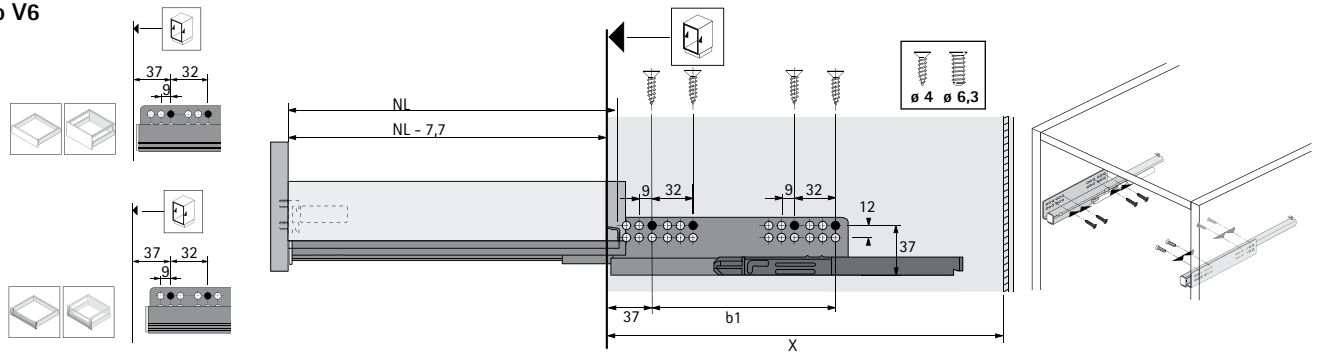


i Quadro 25



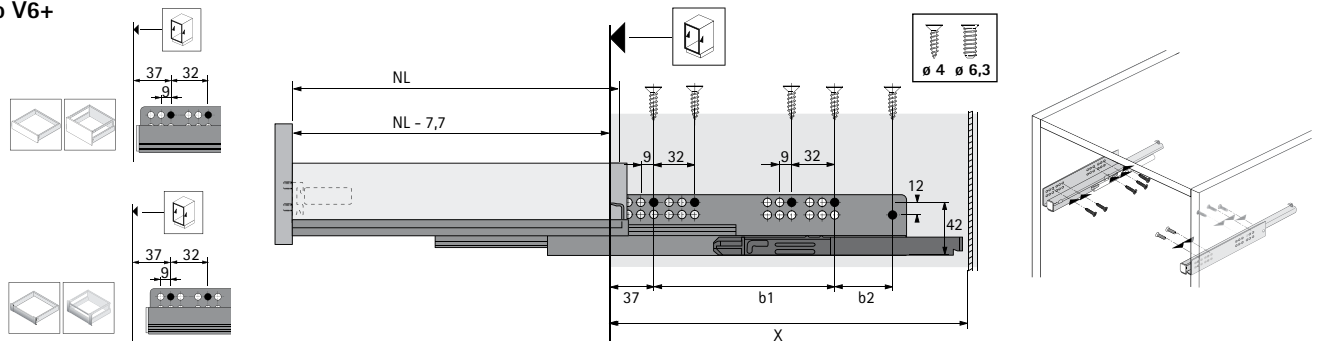
| NL mm | b1 mm | EL mm | X mm | X mm |
|-------|-------|-------|------|------|
| 260 | 128 | 50 | 279 | 288 |
| 300 | 160 | 79 | 315 | 324 |
| 350 | 160 | 74 | 365 | 374 |
| 420 | 256 | 86 | 435 | 444 |
| 470 | 256 | 98 | 485 | 494 |
| 520 | 256 | 110 | 535 | 544 |

Quadro V6



| NL mm | b1 mm | X mm | X mm |
|-------|-------|------|------|
| 260 | 160 | 279 | 288 |
| 300 | 160 | 315 | 324 |
| 350 | 160 | 365 | 374 |
| 420 | 224 | 435 | 444 |
| 470 | 256 | 485 | 494 |
| 520 | 256 | 535 | 544 |

Quadro V6+



| NL mm | b1 mm | b2 mm | X mm | X mm |
|-------|-------|-------|------|------|
| 300 | 160 | - | 315 | 324 |
| 350 | 192 | - | 365 | 374 |
| 420 | 224 | - | 435 | 444 |
| 470 | 256 | - | 485 | 494 |
| 520 | 256 | - | 535 | 544 |
| 620 | 352 | 64 | 635 | 644 |

