

i

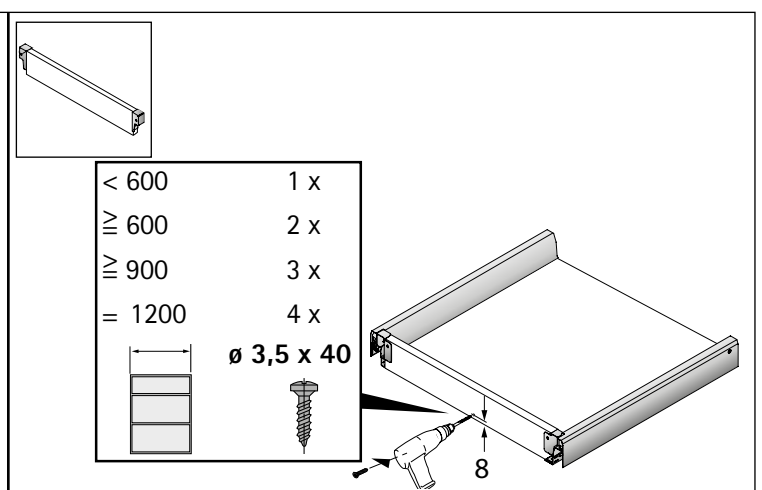
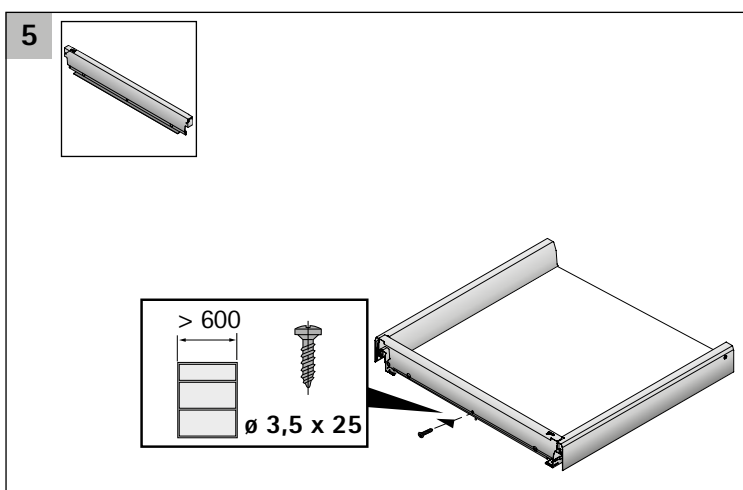
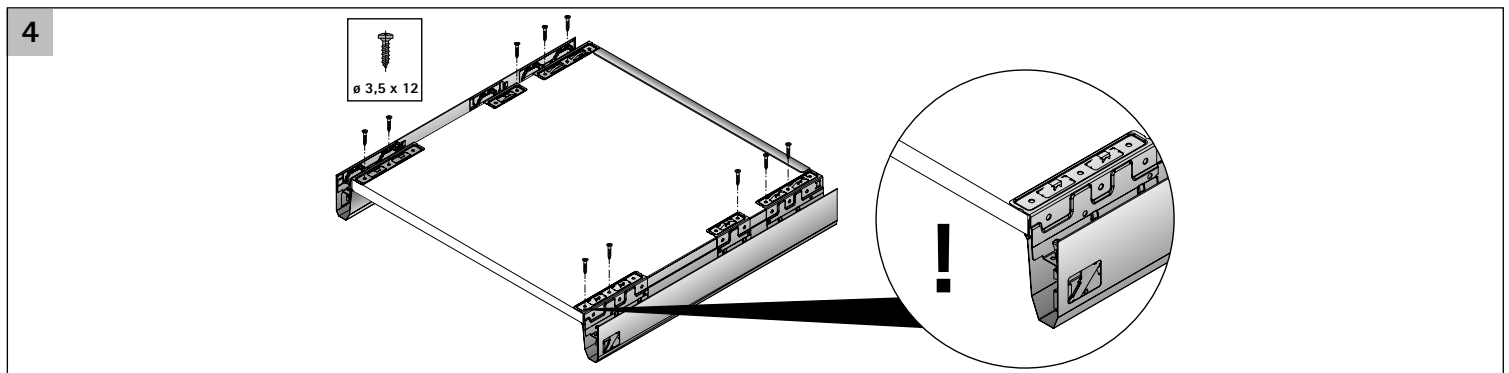
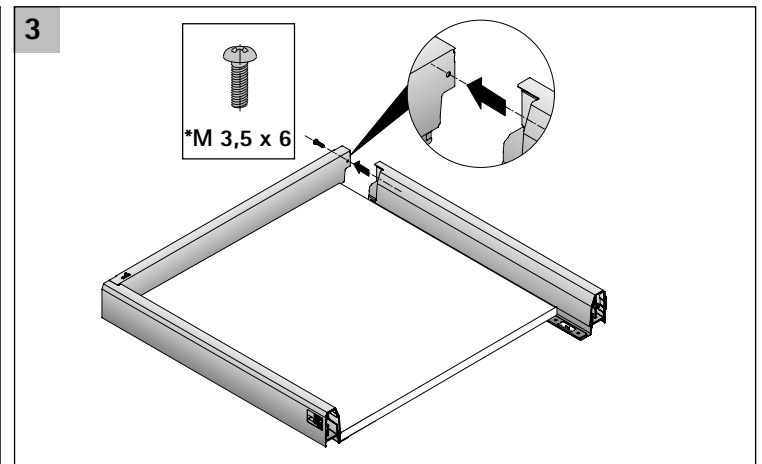
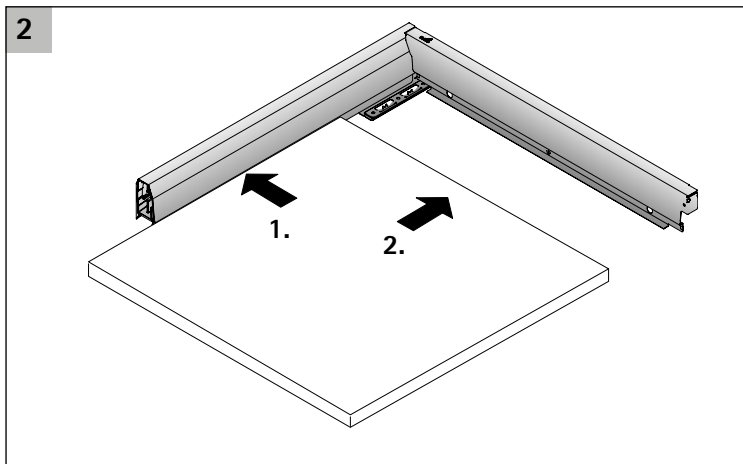
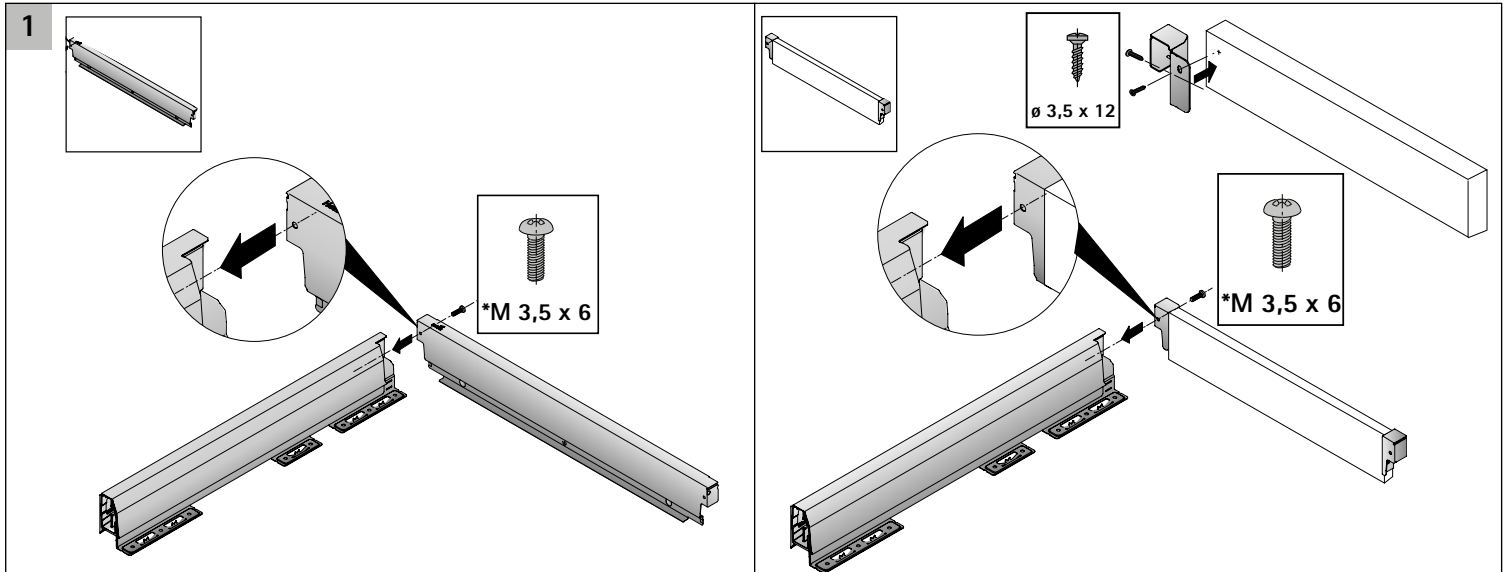
A	NL - 21	NL - 24,5
B	LB - 2 x EB - 52,5	LB - 2 x EB - 52,5
C	-	LB - 2 x EB - 64
D	-	68,5 mm

KD mm	16	18	19
EB mm	15	13	12
A mm	23	21	20

NL mm	b1 mm	X
500	224	503

i

9153351



6

9127211

1.

2.

32

$\varnothing 10 \times 12,5$

32

$\varnothing 3,5$

7

9123080

600 - 700 mm

≥ 700 mm

32

$\varnothing 10 \times 12,5$

32

256

32

32

32

28

32

CLICK!

1.

2.

$\varnothing 3,5 \times 16$

8

8 x $\varnothing 6 \times 14$

