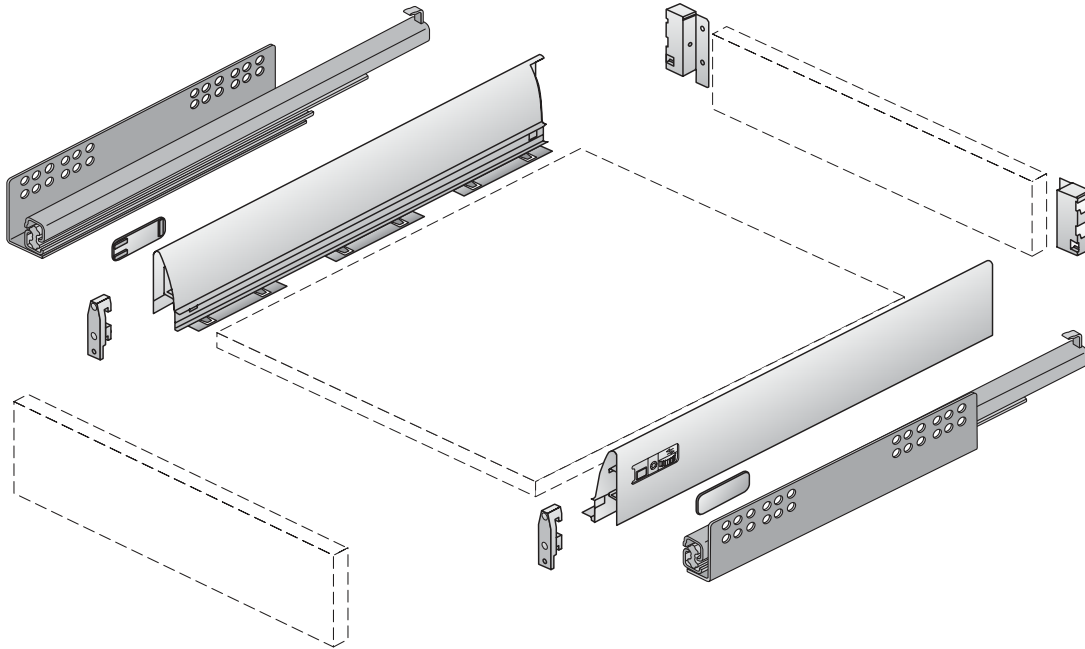


i



4 x  
3,5 x 25 mm



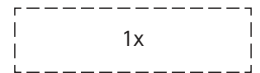
10 x  
3,5 x 12 mm



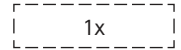
8 x / 10 x  
4 x 16 mm



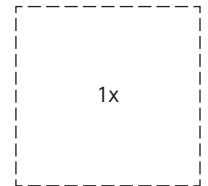
1 x  
3,5 x 30 mm



1x

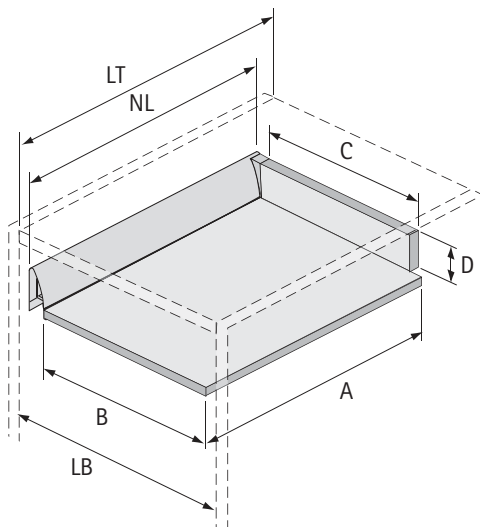


1x

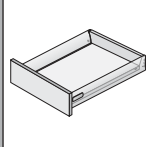


1x

i

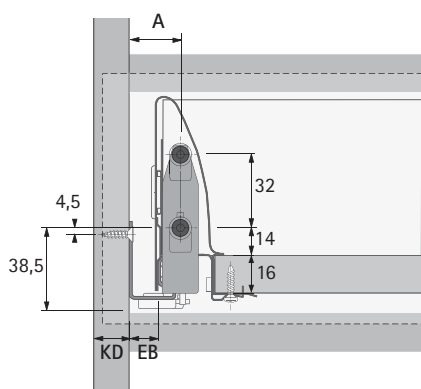
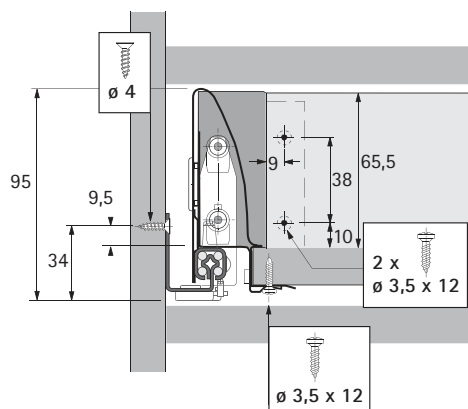


A	NL + 10
B	LB - 2 x EB - 51,5
C	LB - 2 x EB - 63
D	65,5

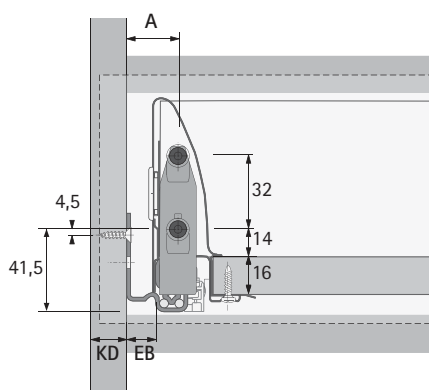
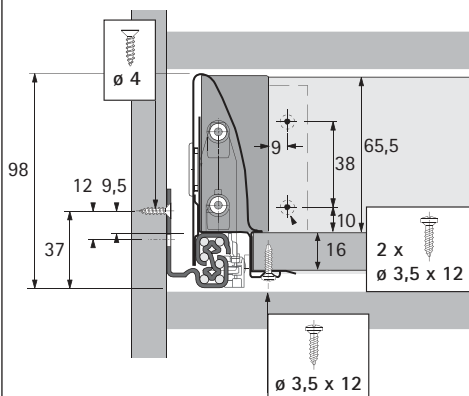


i

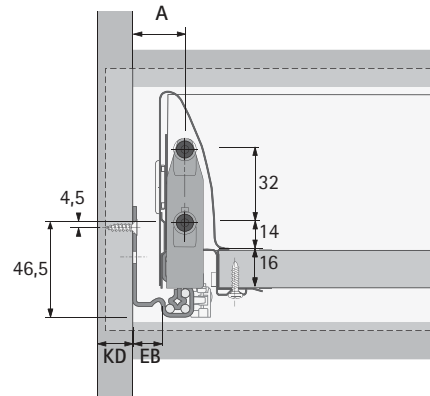
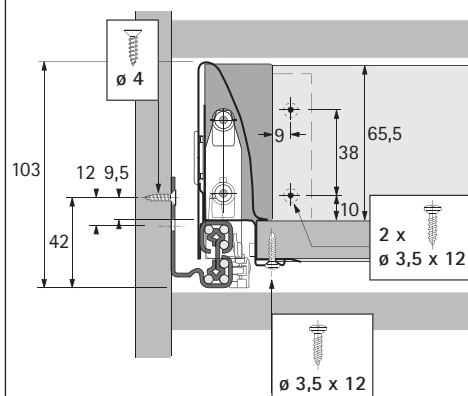
### Quadro 25



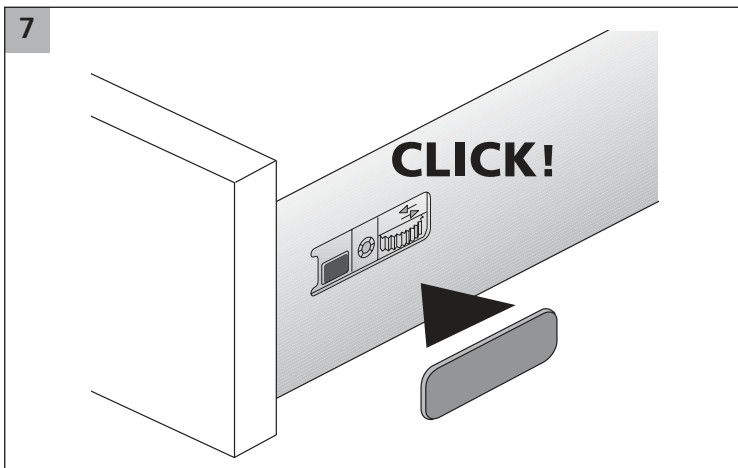
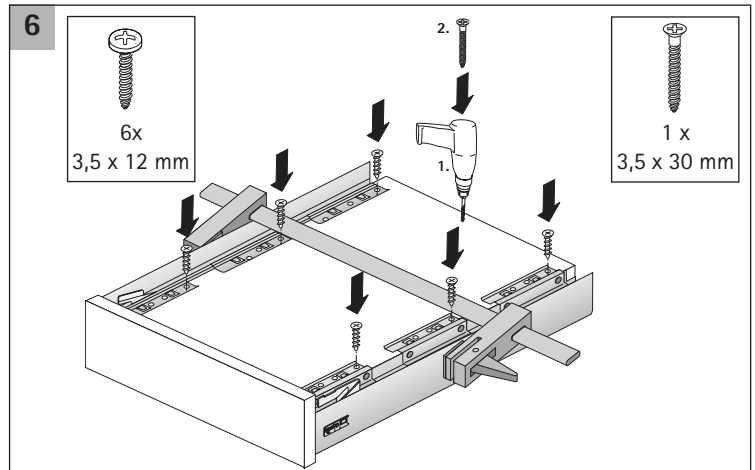
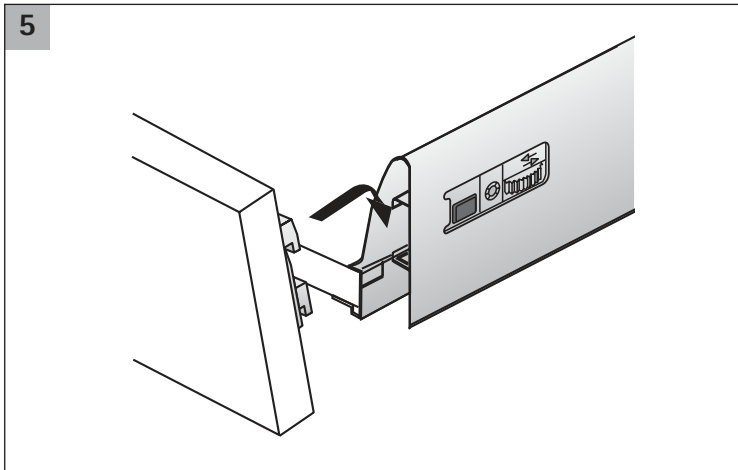
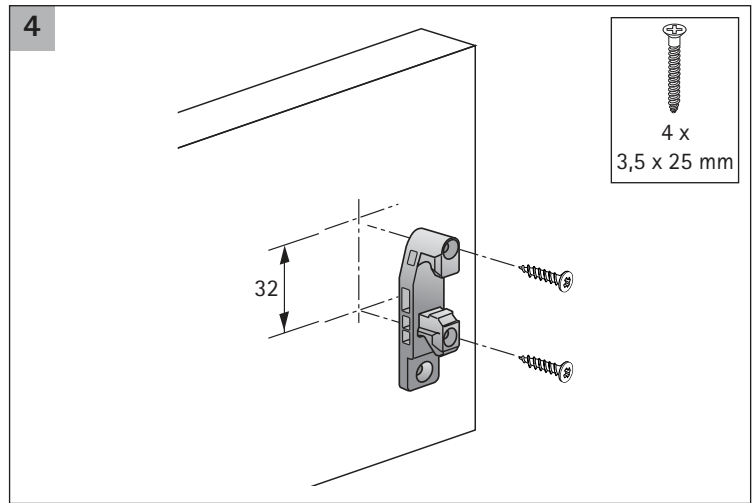
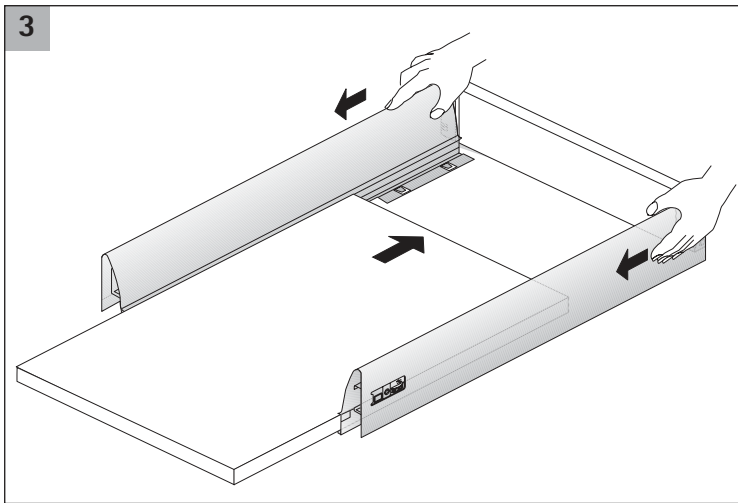
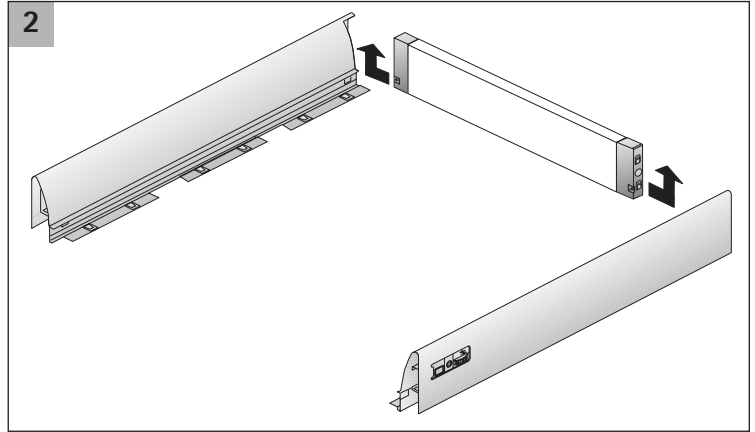
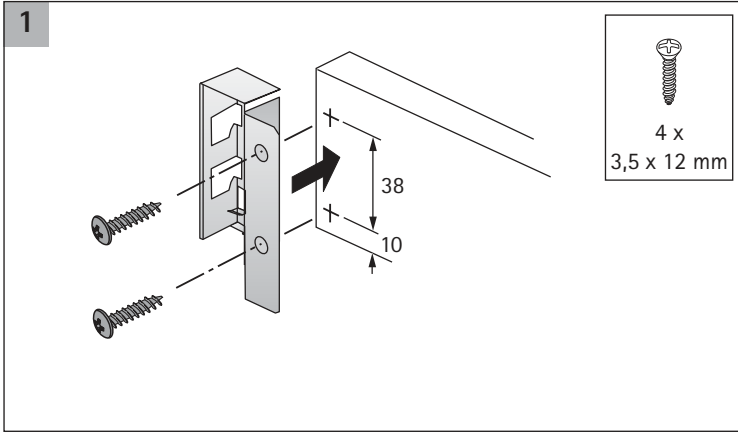
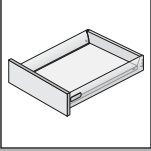
### Quadro V6

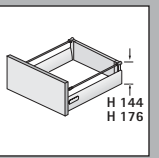


### Quadro V6+

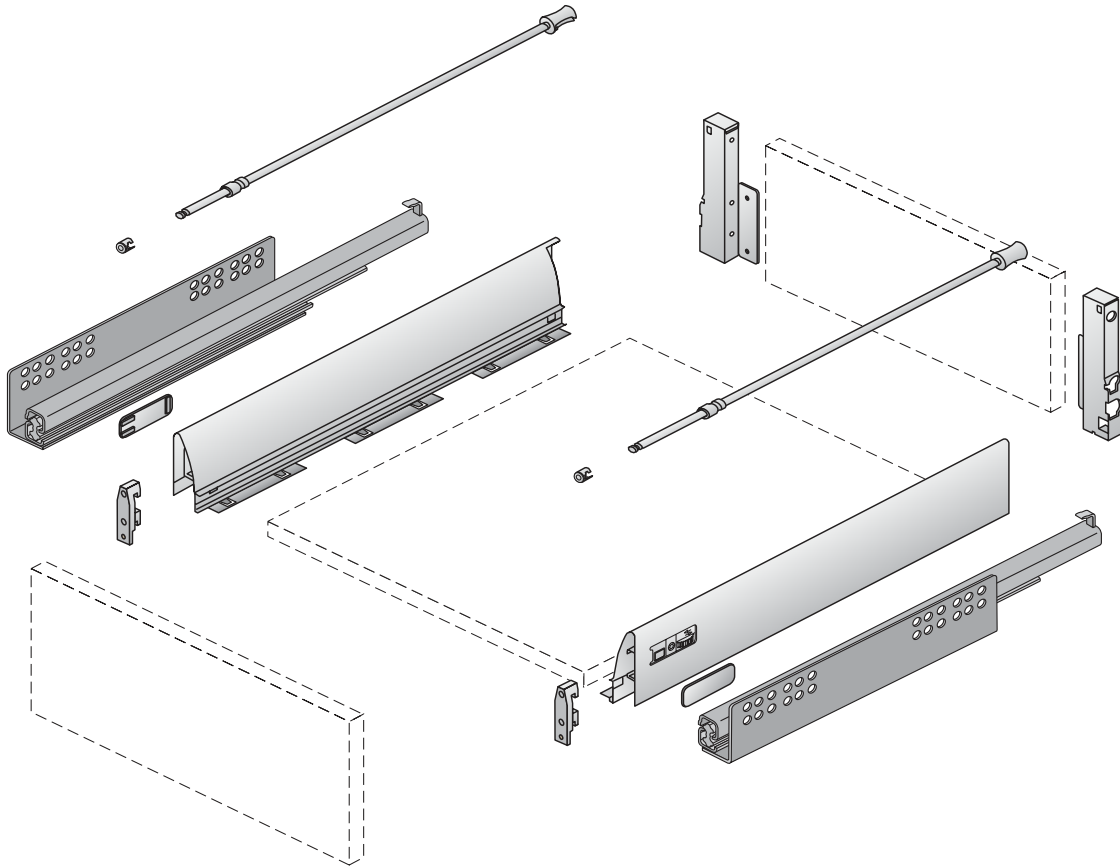


KD mm	16	18	19
EB mm	12,5	10,5	9,5
Maß A mm	23	21	20





i



4 x  
3,5 x 25 mm



2 x  
3,5 x 12 mm



8 x / 10 x  
4 x 16 mm



12 x  
3,5 x 12 mm



1 x  
3,5 x 30 mm

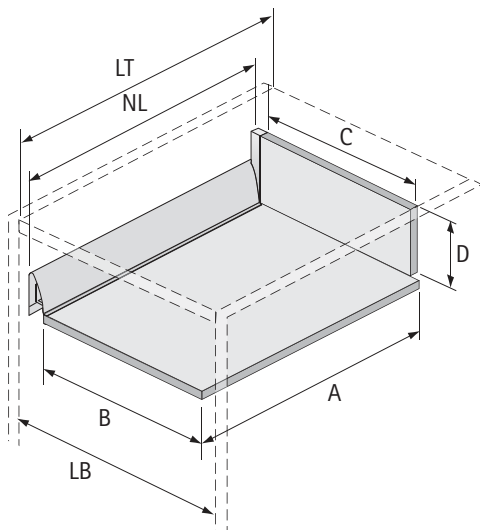


1x

1x

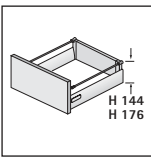
1x

i

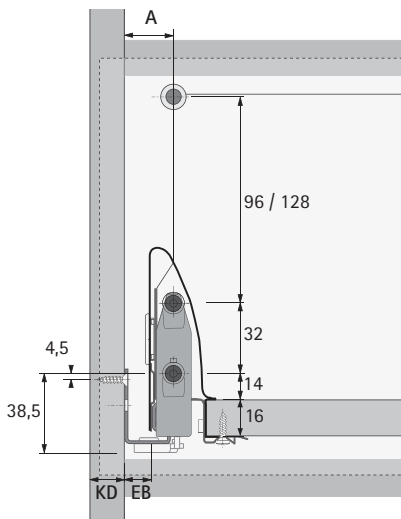
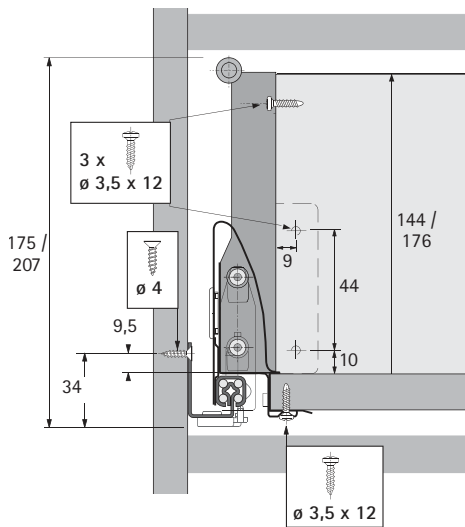


	144	176
A	NL + 10	NL + 10
B	LB - 2 x EB - 51,5	LB - 2 x EB - 51,5
C	LB - 2 x EB - 63	LB - 2 x EB - 63
D	144	176

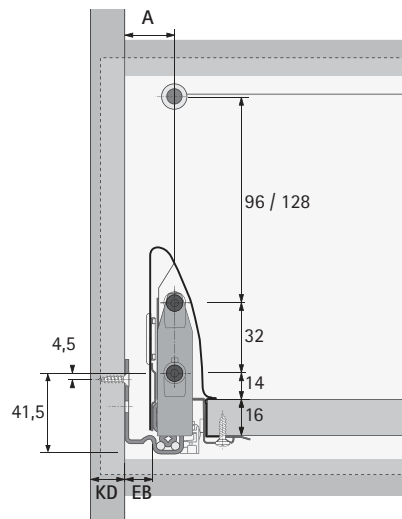
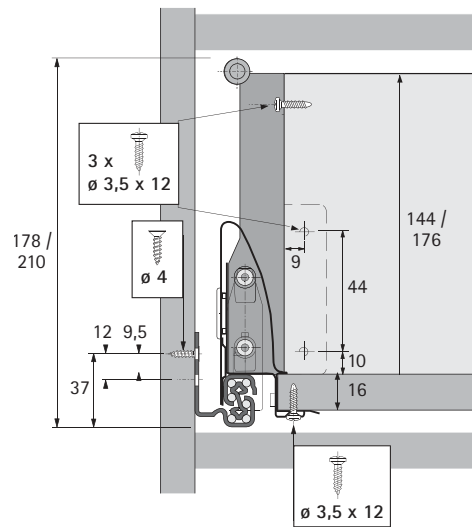
i



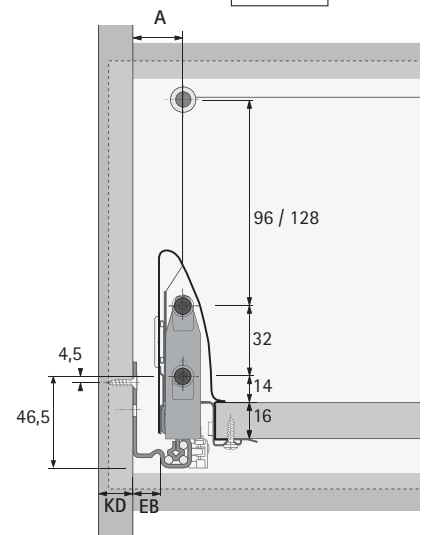
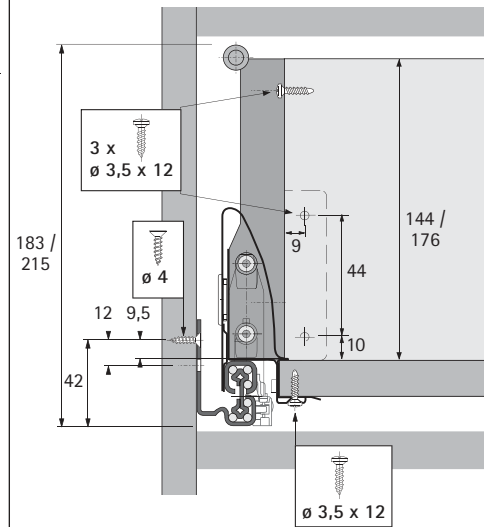
**Quadro 25**



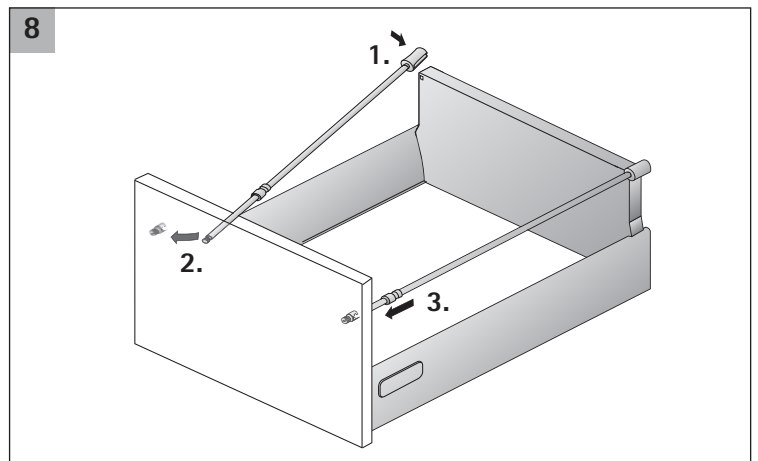
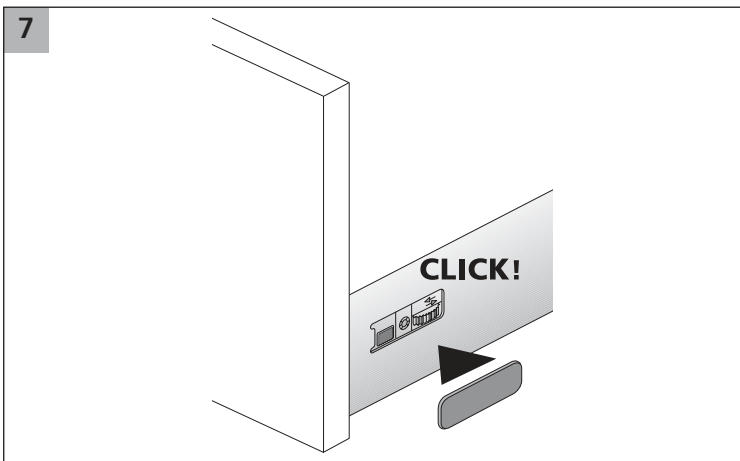
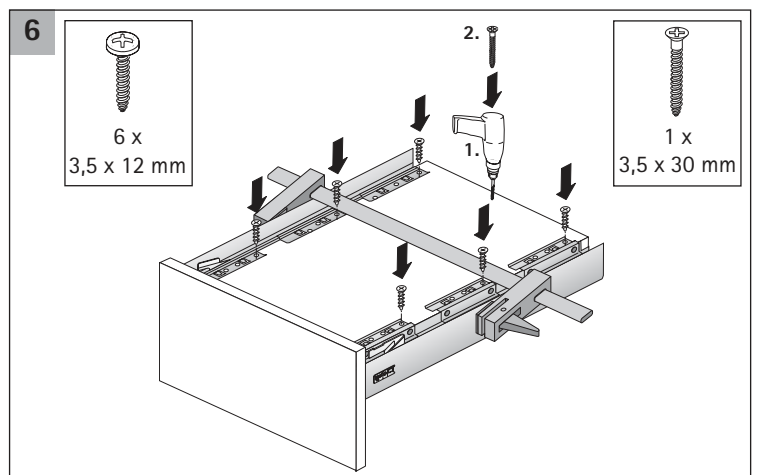
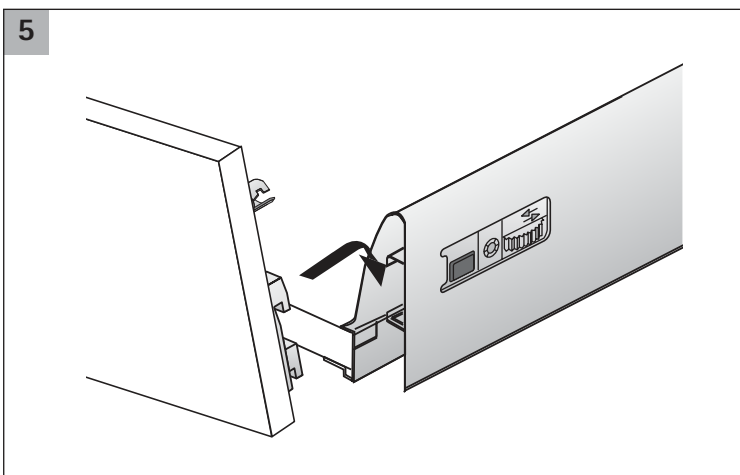
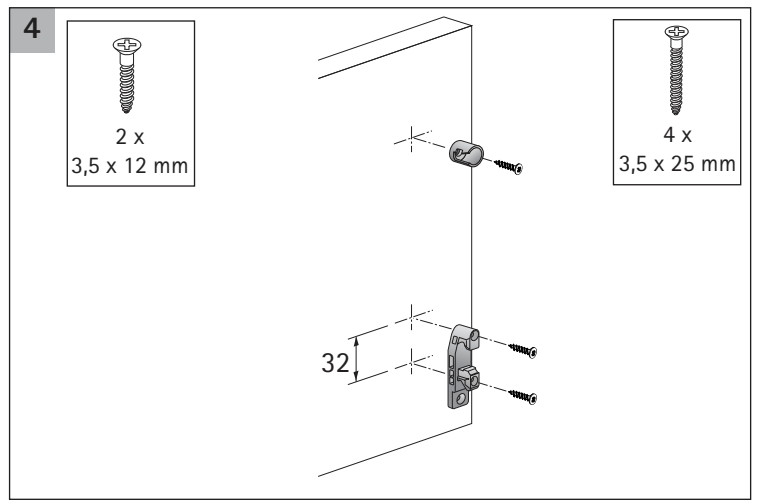
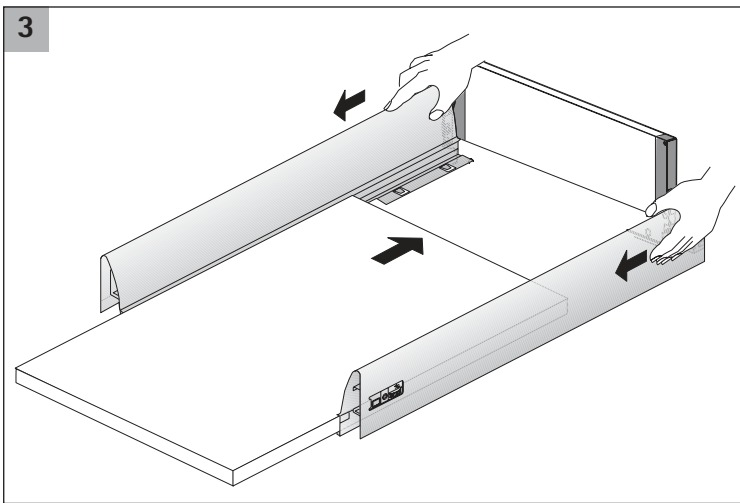
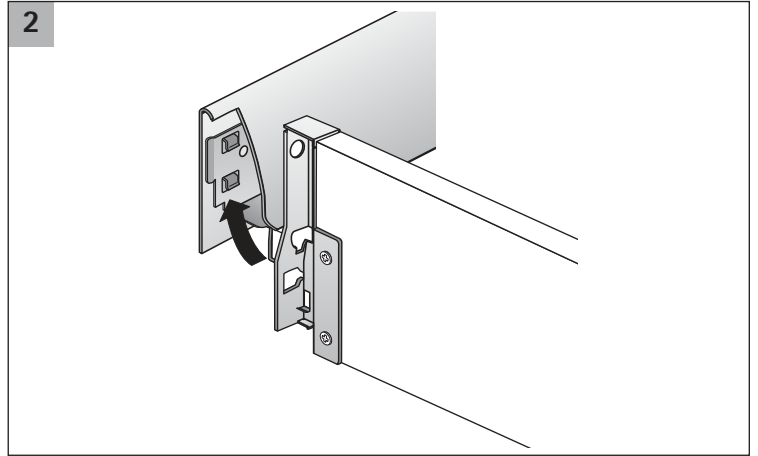
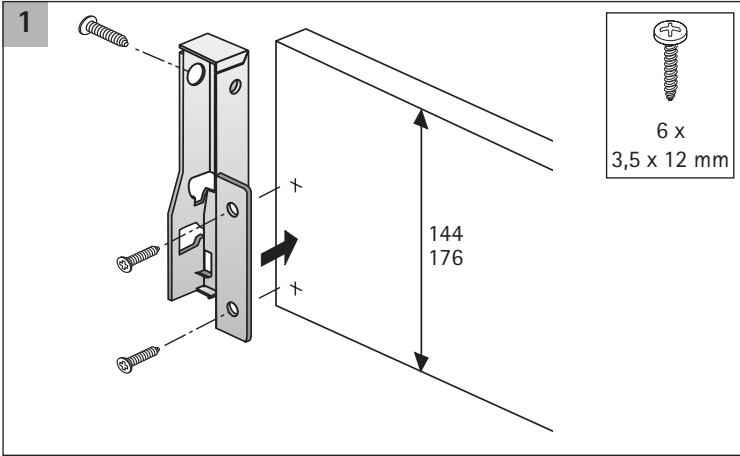
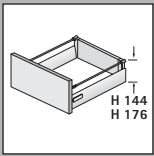
**Quadro V6**

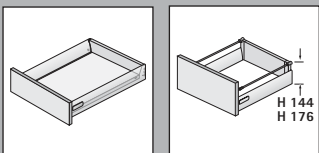


**Quadro V6+**

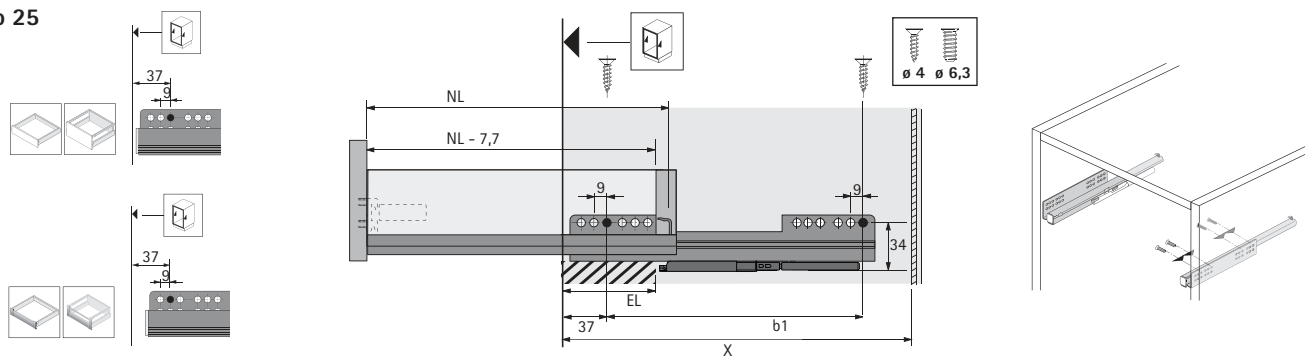


KD mm	16	18	19
EB mm	12,5	10,5	9,5
Maß A mm	23	21	20



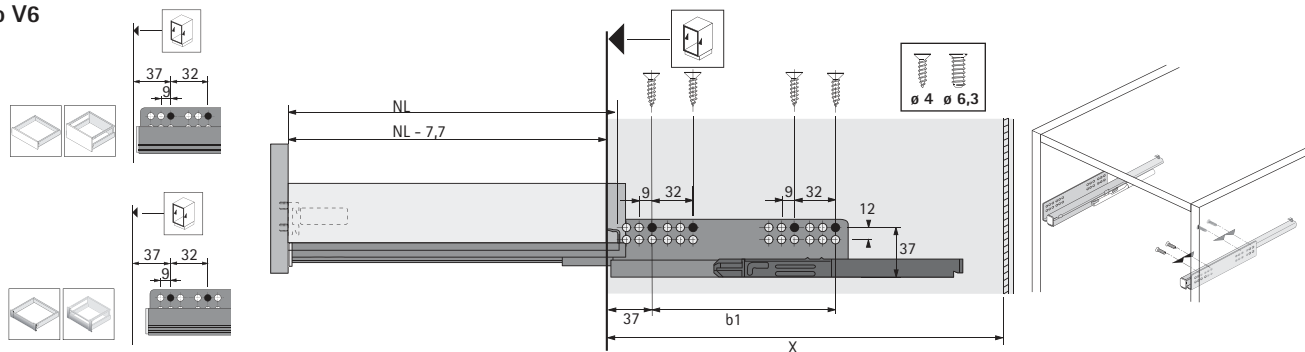


**i Quadro 25**



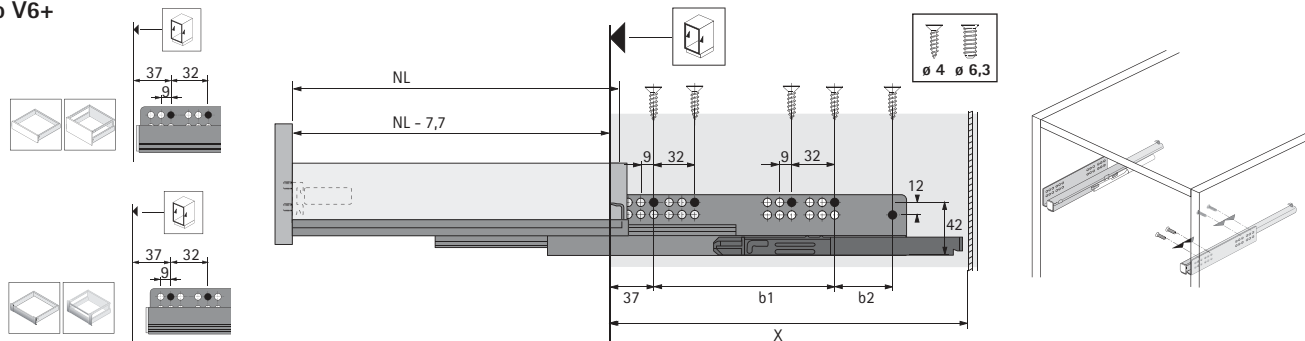
NL mm	b1 mm	EL mm	X mm	X mm
260	128	50	279	288
300	160	79	315	324
350	160	74	365	374
420	256	86	435	444
470	256	98	485	494
520	256	110	535	544

**Quadro V6**



NL mm	b1 mm	X mm	X mm
260	160	279	288
300	160	315	324
350	160	365	374
420	224	435	444
470	256	485	494
520	256	535	544

**Quadro V6+**



NL mm	b1 mm	b2 mm	X mm	X mm
300	160	-	315	324
350	192	-	365	374
420	224	-	435	444
470	256	-	485	494
520	256	-	535	544
620	352	64	635	644

