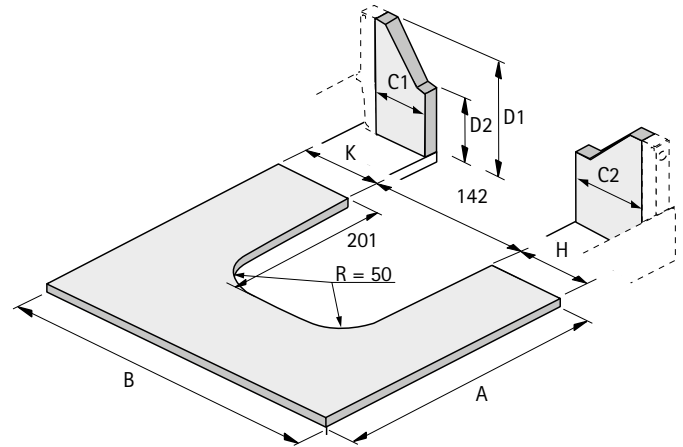
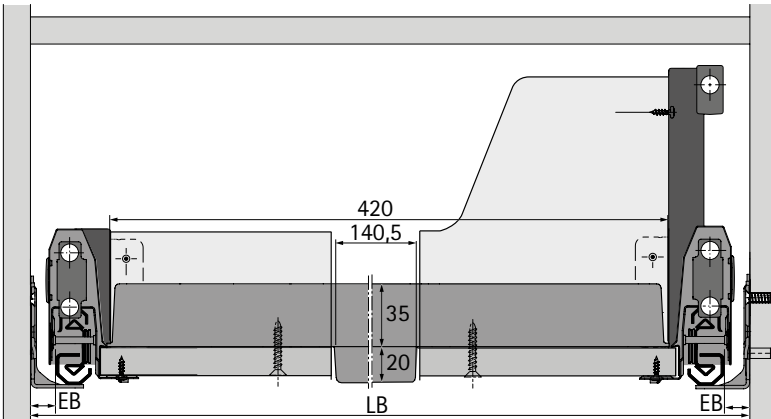
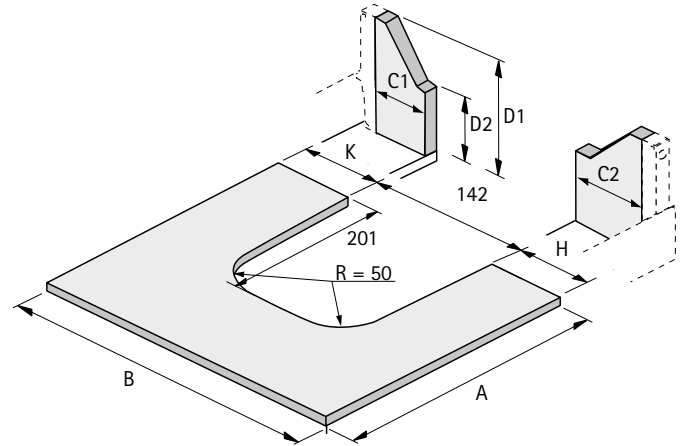
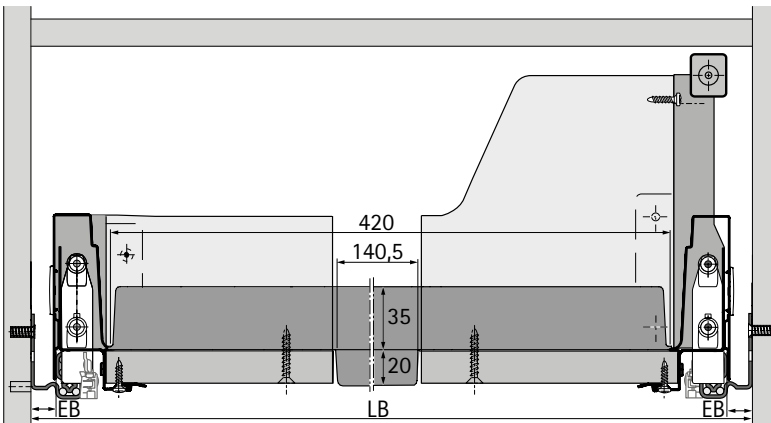


i ArciTech



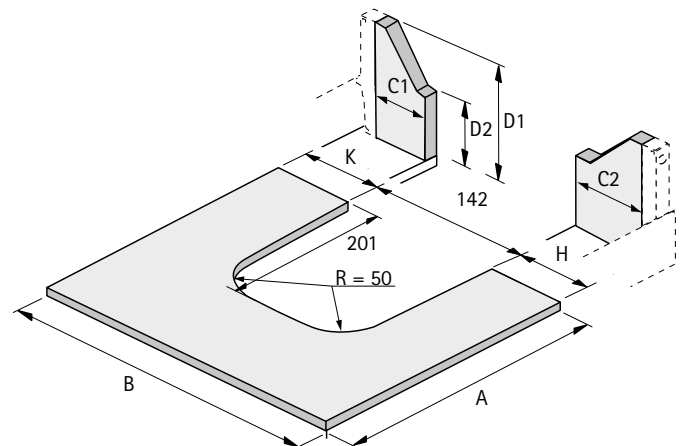
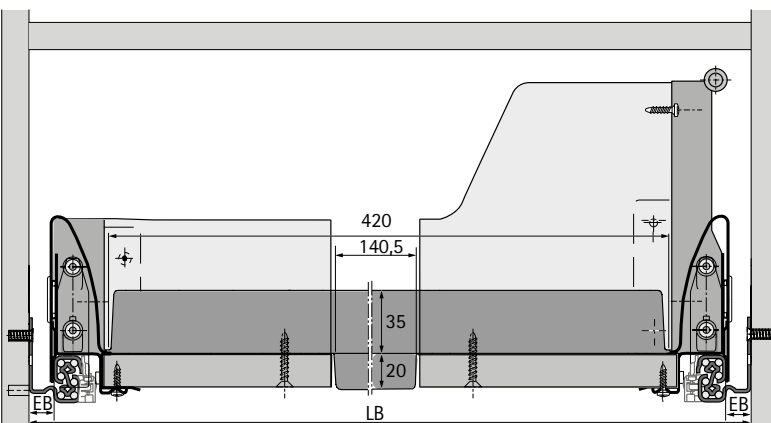
| | |
|------|------------------|
| A = | NL - 24,5 |
| B = | LB - 2 x EB - 52 |
| C1 = | K - 6 |
| C2 = | H - 6 |

i InnoTech Atira



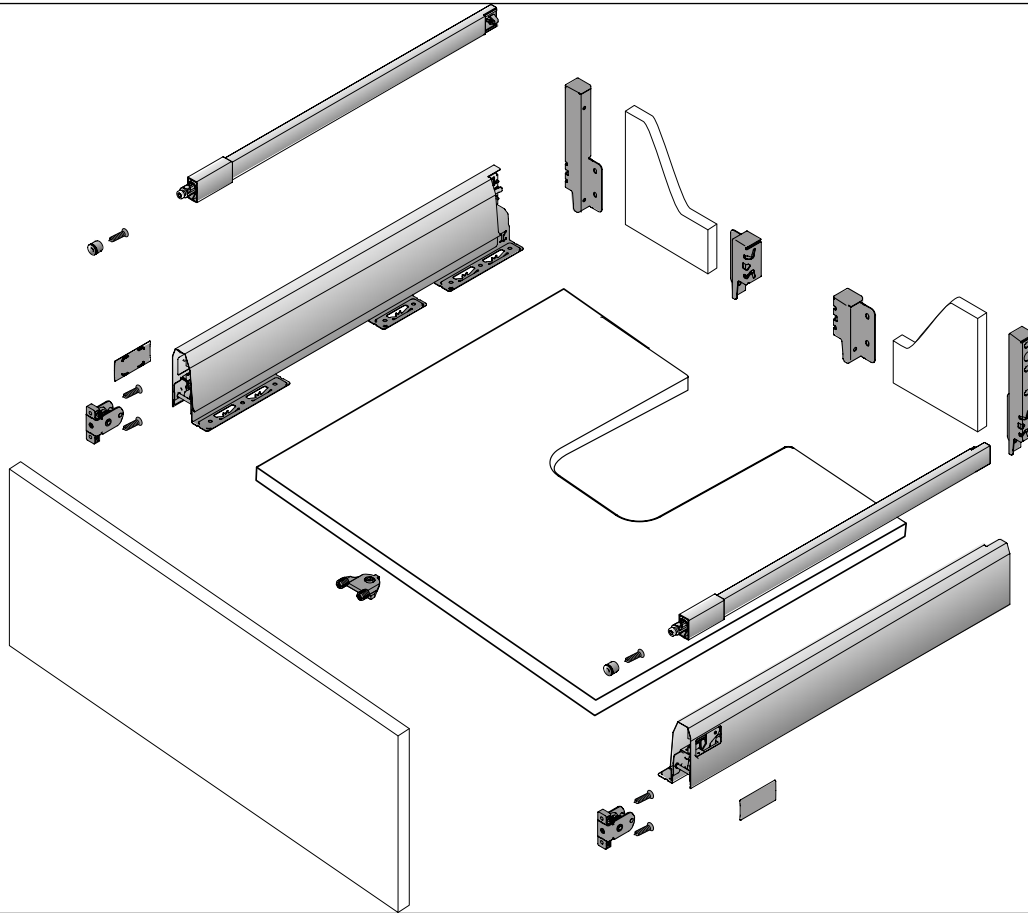
| | |
|------|--------------------|
| A = | NL + 10 |
| B = | LB - 2 x EB - 51,5 |
| C1 = | K - 6 |
| C2 = | H - 6 |

i InnoTech



| | |
|------|--------------------|
| A = | NL + 10 |
| B = | LB - 2 x EB - 51,5 |
| C1 = | K - 6 |
| C2 = | H - 6 |

1



2

