

<http://www.hettich.com/short/15a1d3>

**i**

4 x  
3,5 x 25 mm

10 x  
3,5 x 12 mm

8 x / 10 x  
4 x 16 mm

1 x  
3,5 x 30 mm

2 x  
3,5 x 20 mm

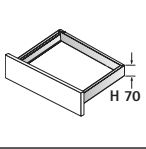
1x

1x

1x

**i**

	Stahlrückwand/ Steel rear panel	Holzrückwand/ Wooden rear panel	Aluminiumrückwand/ Aluminium rear panel
A	NL - 3	NL + 10	NL - 3
B	LB - 2 x EB - 51,5	LB - 2 x EB - 51,5	LB - 2 x EB - 51,5
C	-	LB - 2 x EB - 63	LB - 2 x EB - 63
D	-	65,5	-

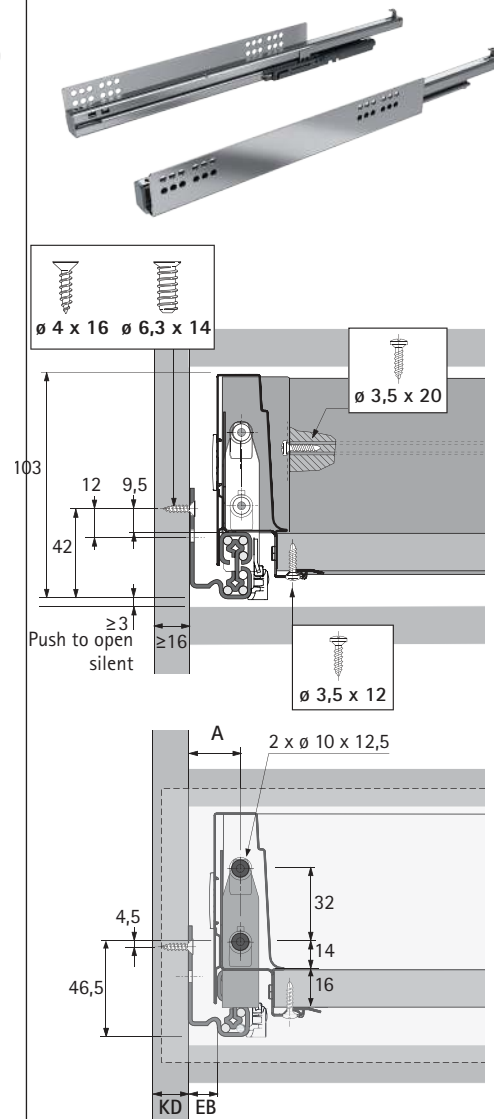
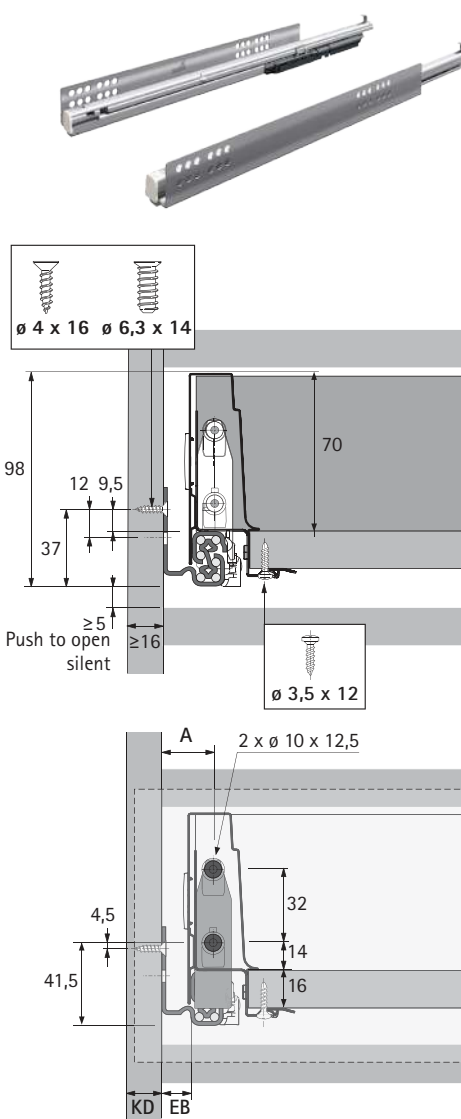
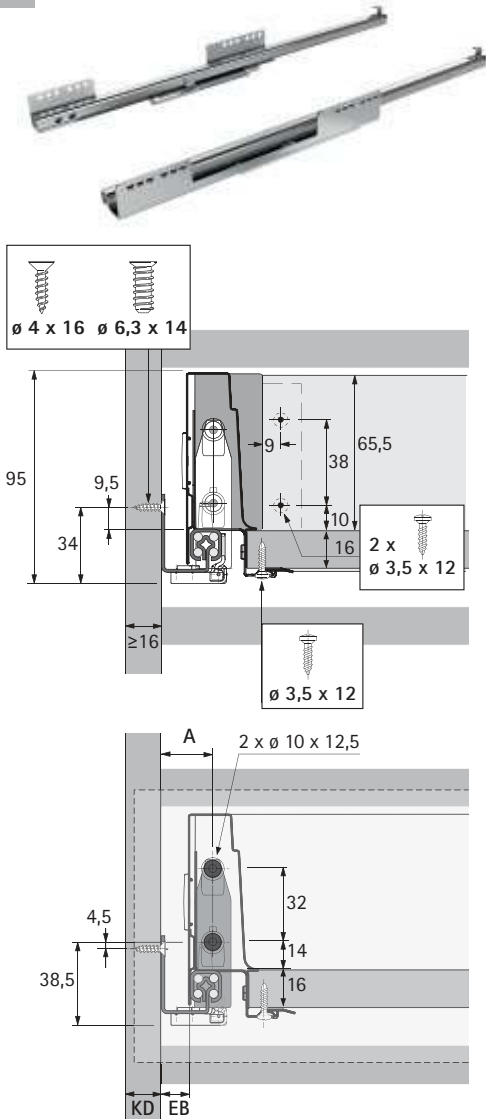


i

### Quadro 25

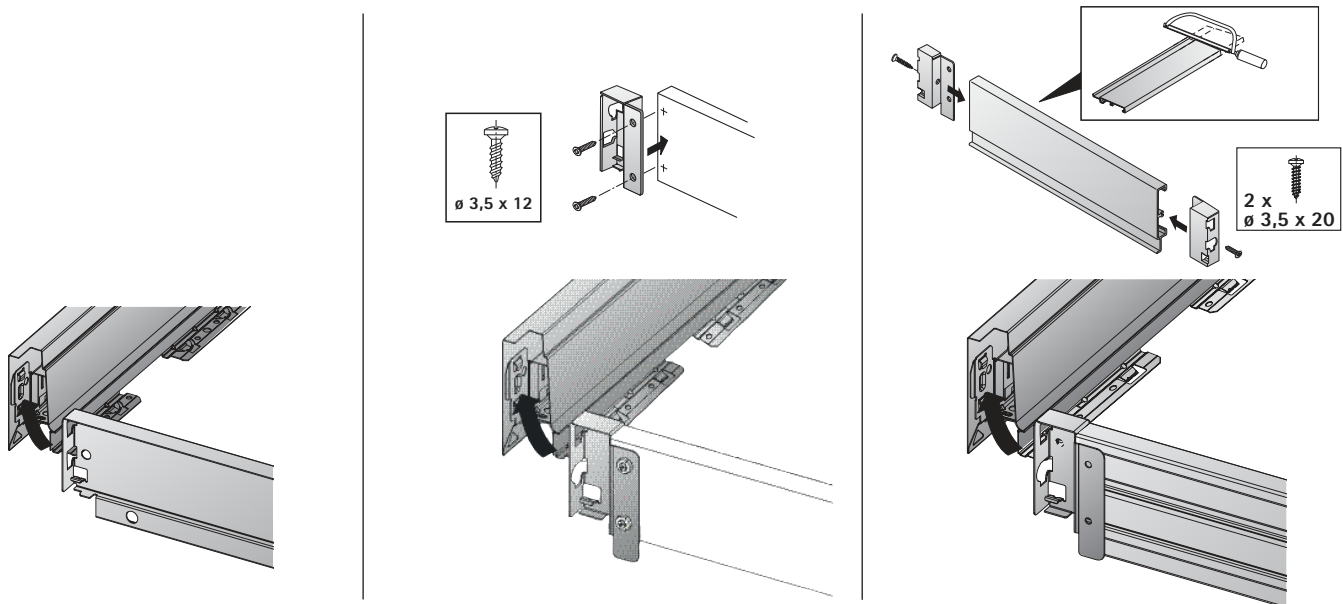
### Quadro V6

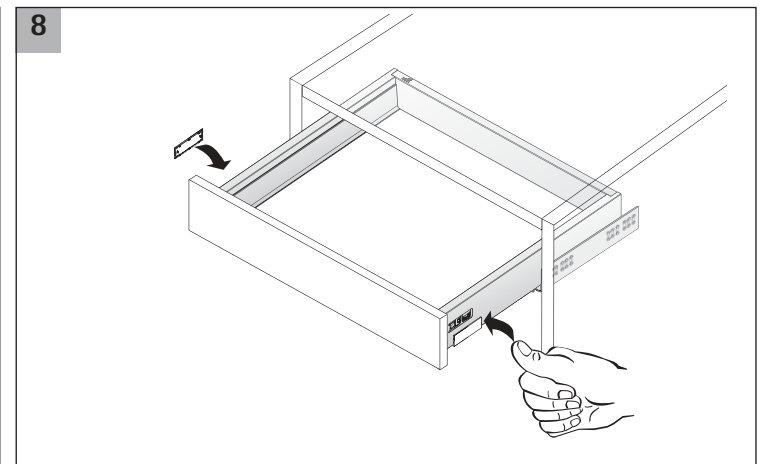
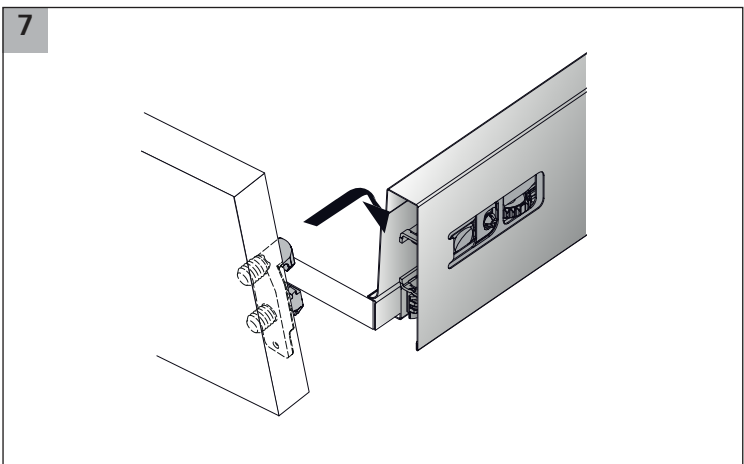
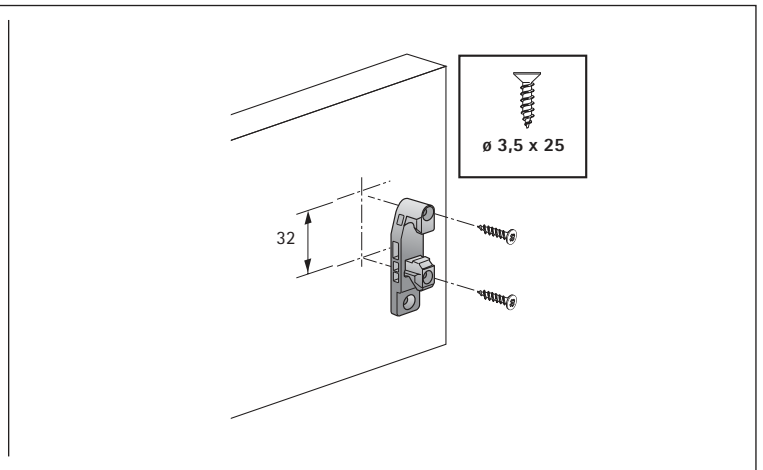
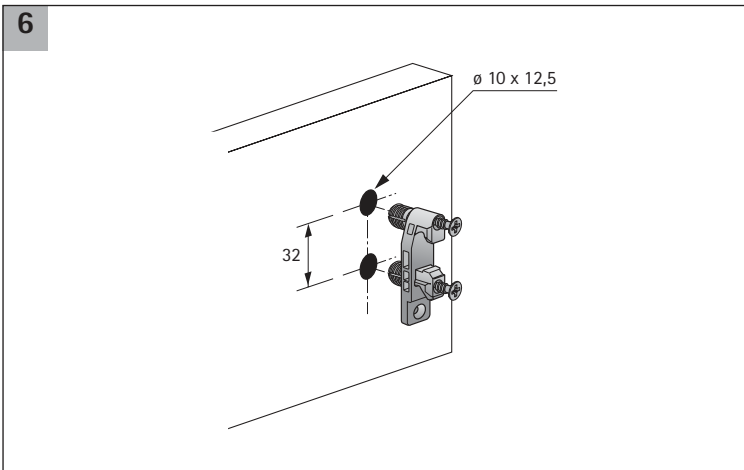
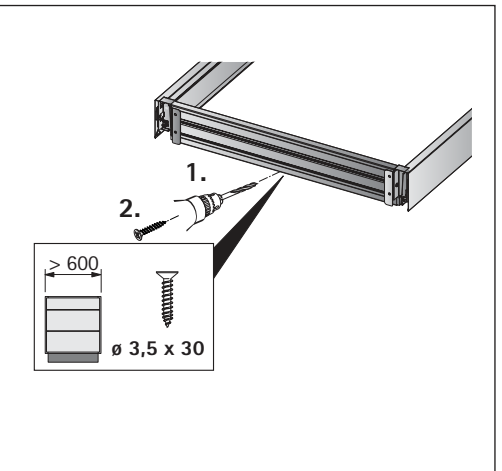
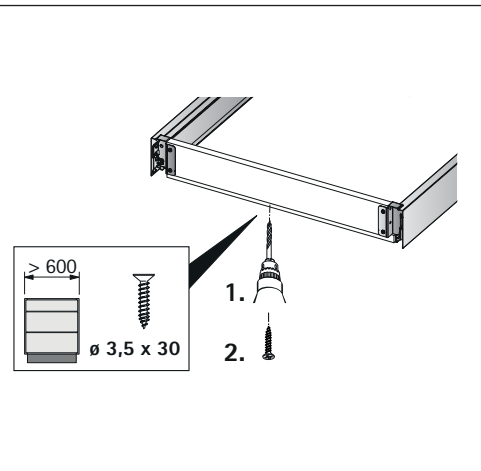
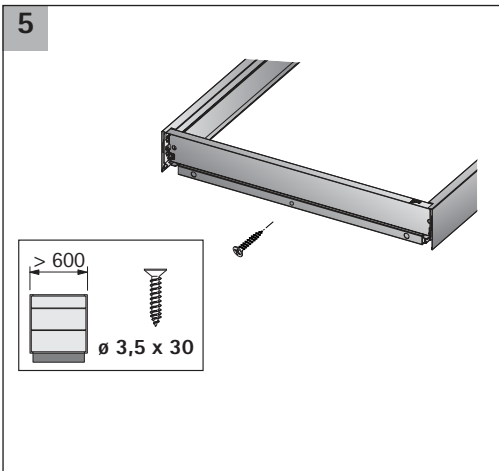
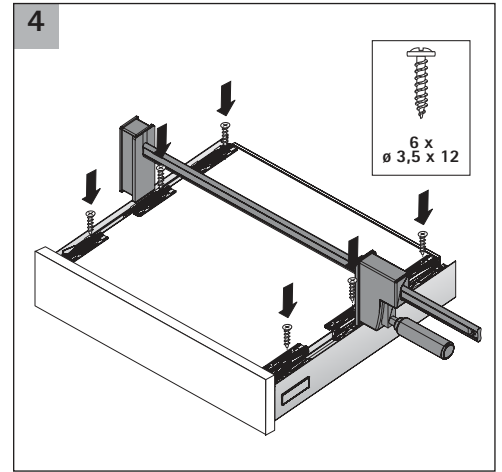
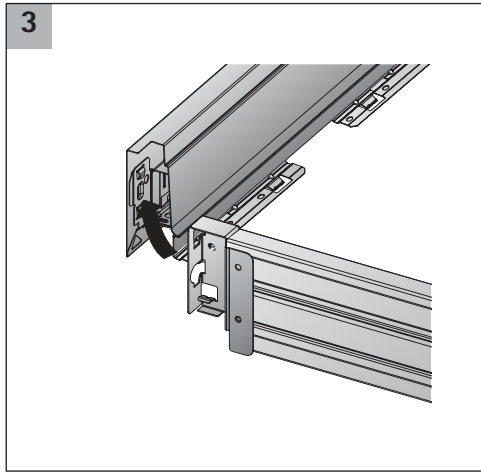
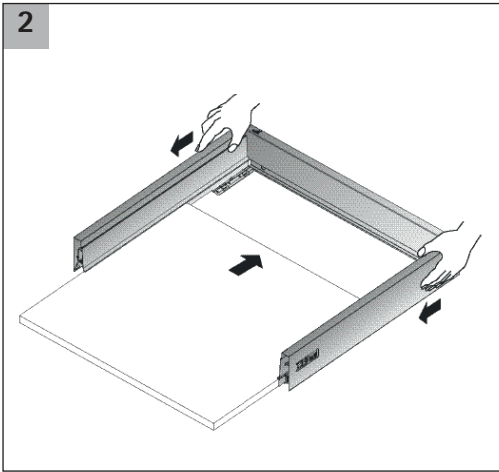
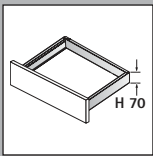
### Quadro V6+

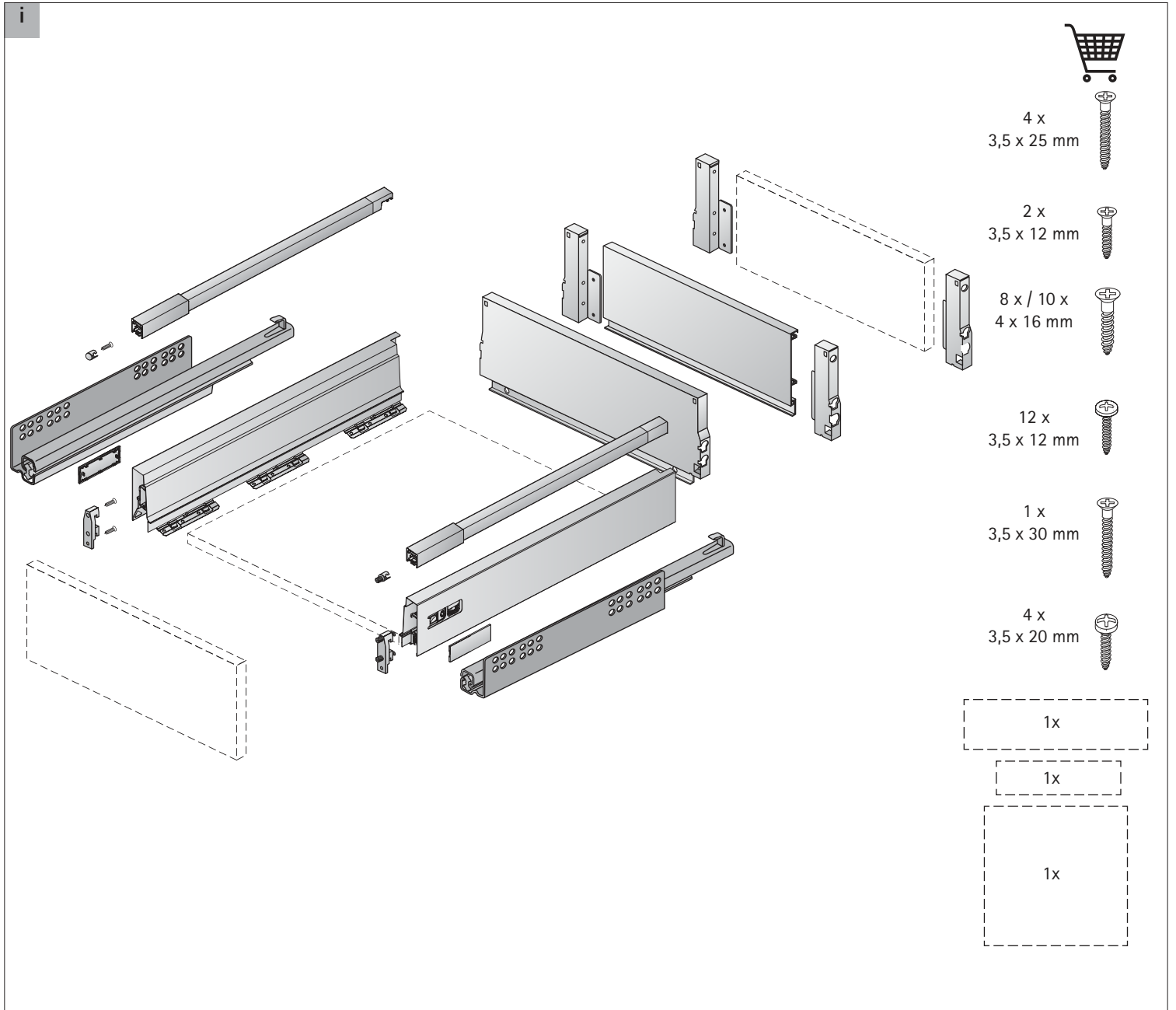
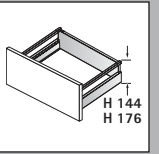


KD mm	16	18	19
EB mm	12,5	10,5	9,5
A mm	23	21	20

1





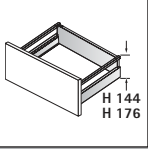


**i**

	Stahlrückwand/ Steel rear panel	Holzhückwand/ Wooden rear panel	Aluminiumrückwand/ Aluminium rear panel
A	NL - 3	NL + 10	NL - 3
B	LB - 2 x EB - 51,5	LB - 2 x EB - 51,5	LB - 2 x EB - 51,5
C	-	LB - 2 x EB - 63	LB - 2 x EB - 63
D	-	144	-

	Stahlrückwand/ Steel rear panel	Holzhückwand/ Wooden rear panel
A	NL - 3	NL + 10
B	LB - 2 x EB - 51,5	LB - 2 x EB - 51,5
C	-	LB - 2 x EB - 63
D	-	176

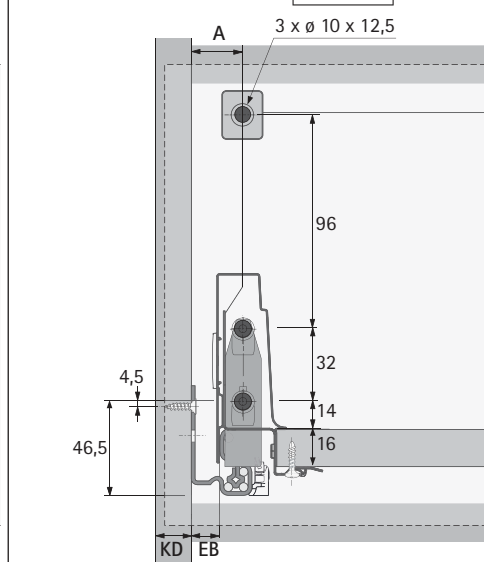
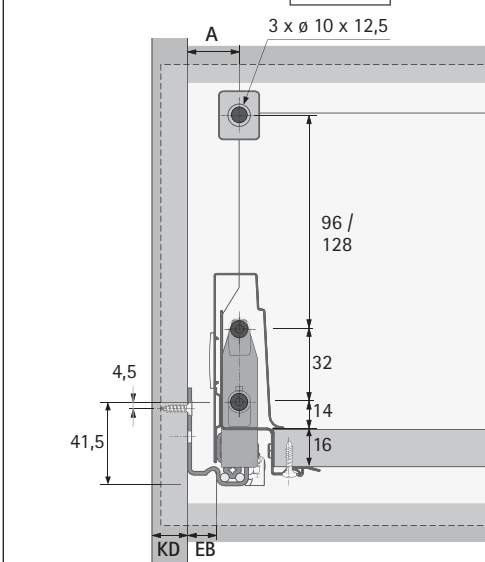
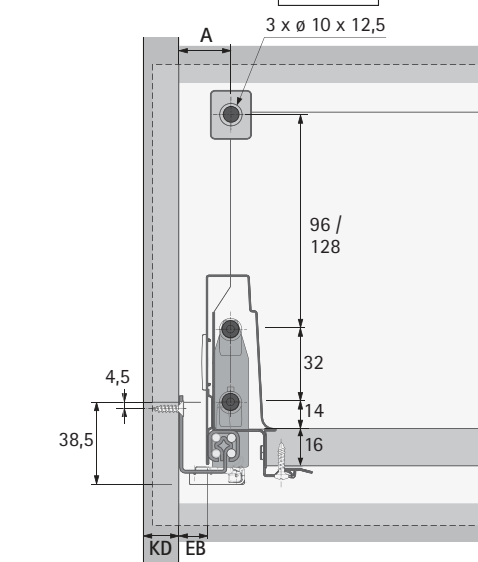
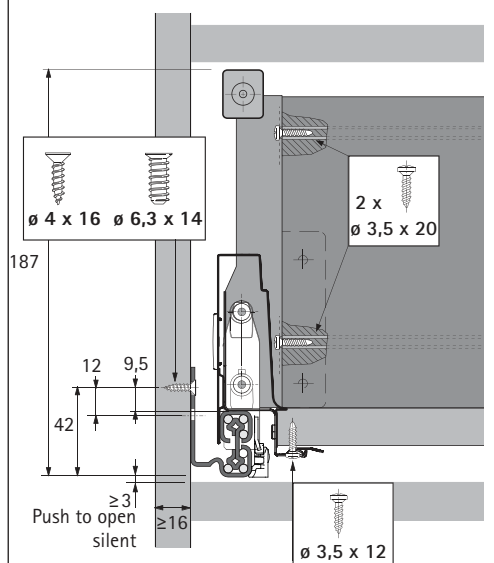
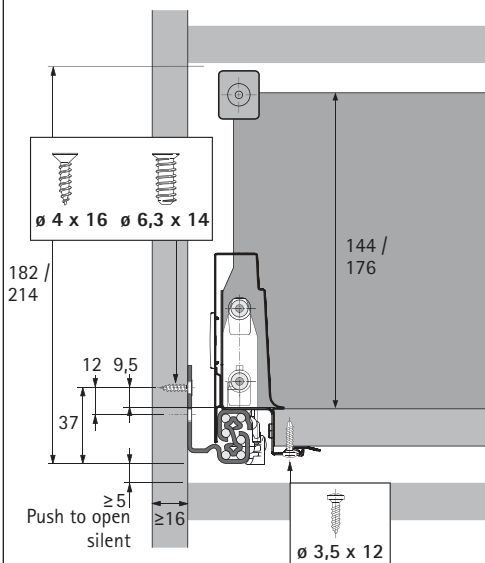
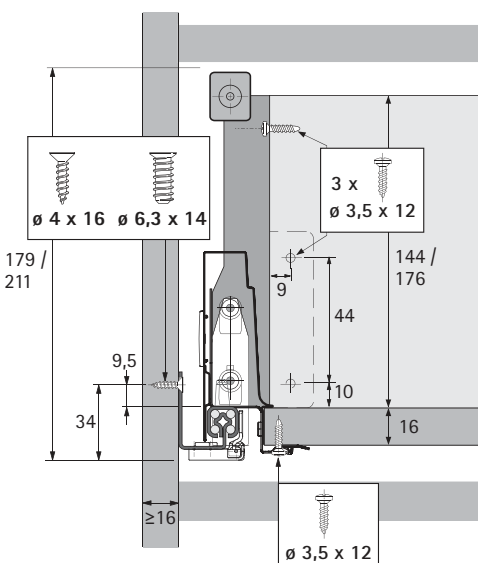


i

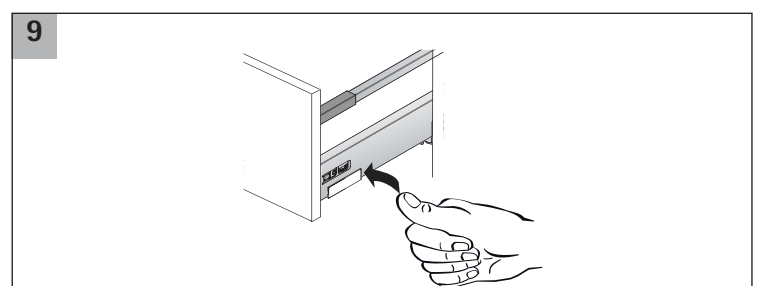
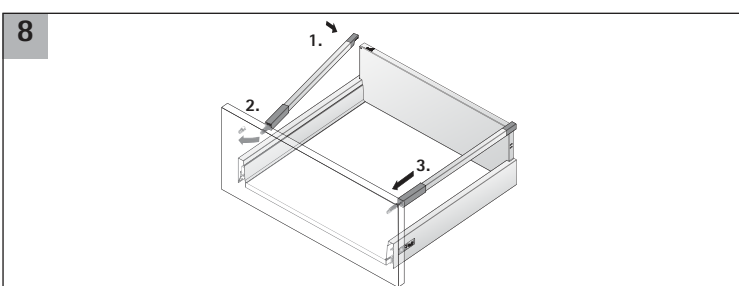
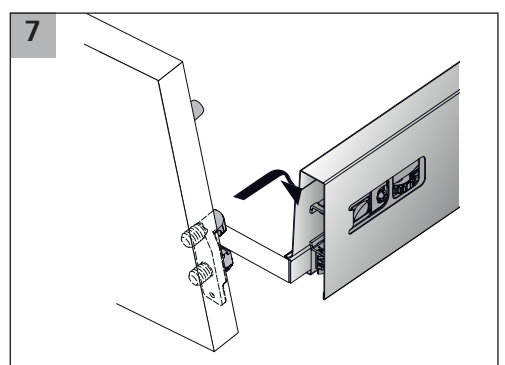
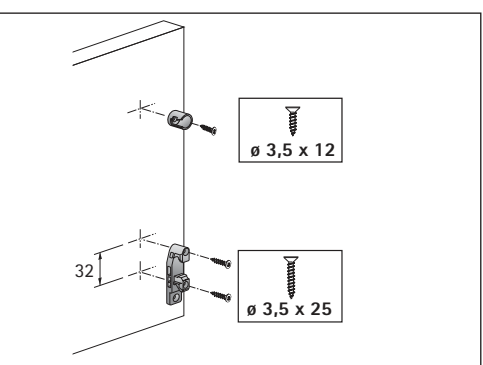
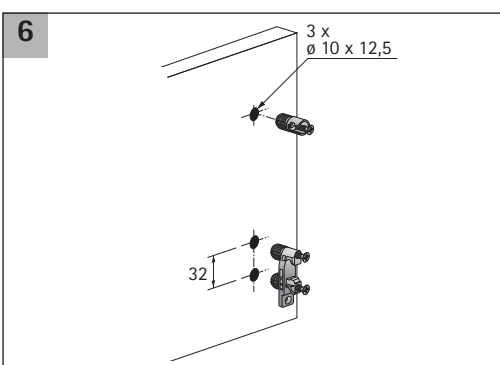
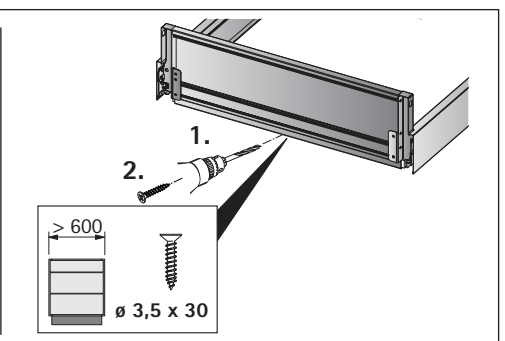
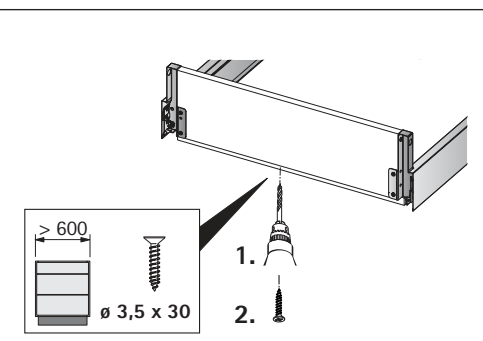
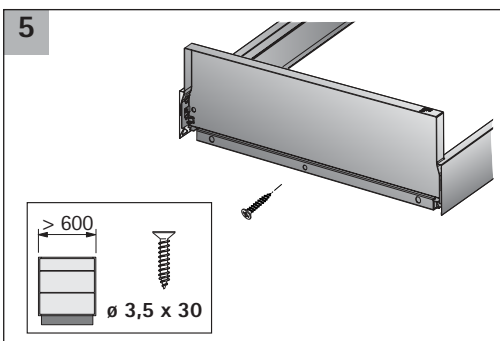
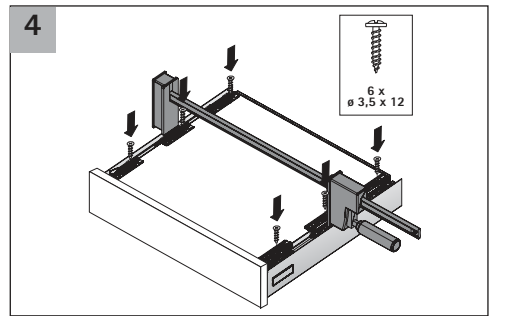
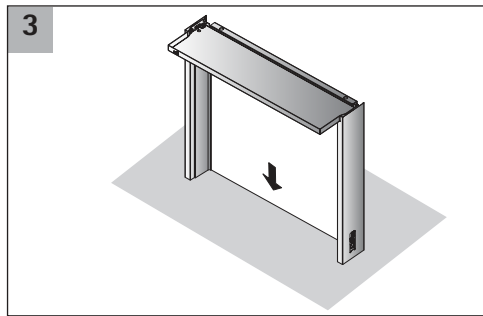
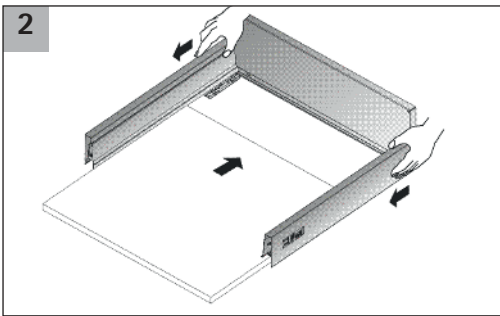
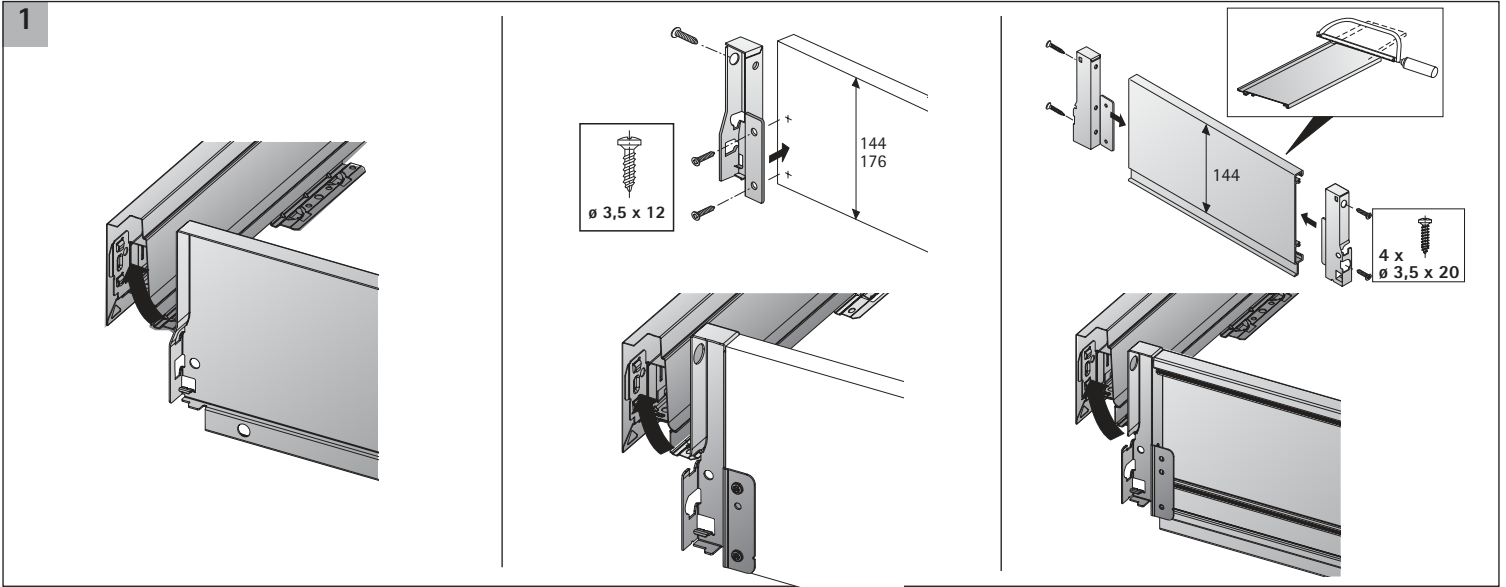
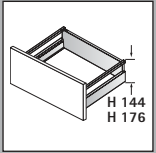
Quadro 25

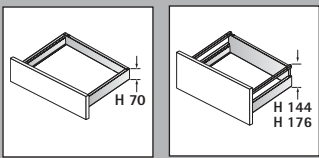
Quadro V6

Quadro V6+

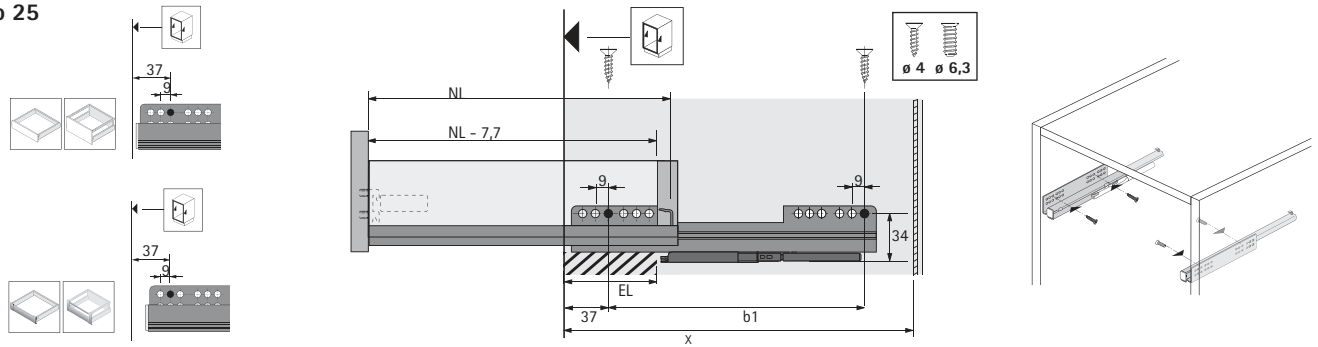


KD mm	16	18	19
EB mm	12,5	10,5	9,5
A mm	23	21	20



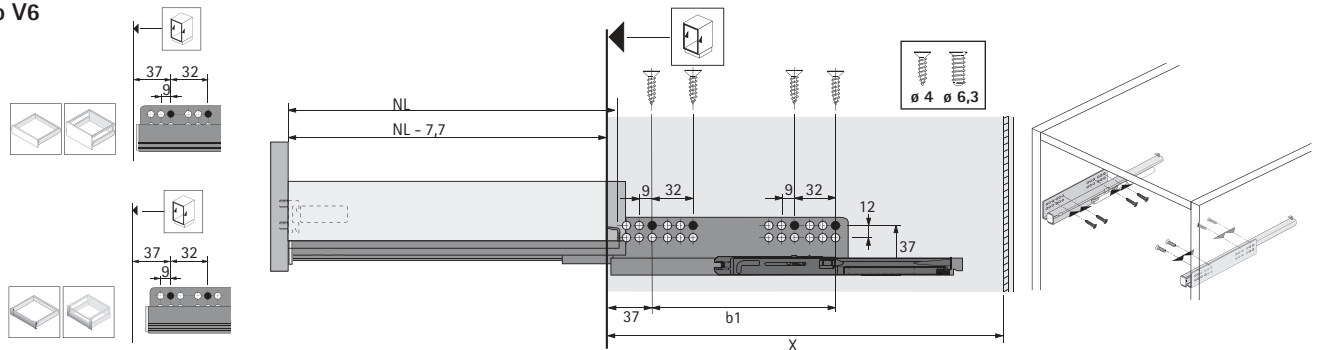


**i** Quadro 25



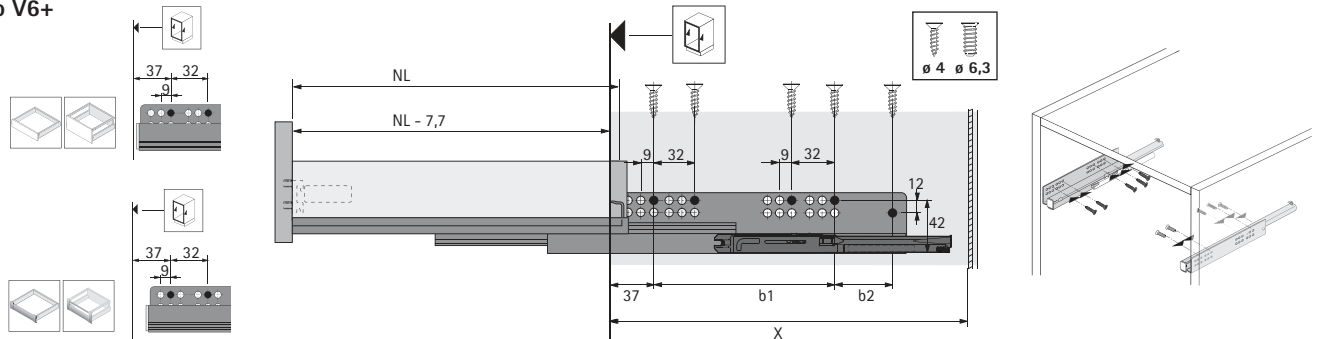
NL mm	b1 mm	EL mm	X mm	X mm
260	160	50	279	288
300	160	70	315	324
350	160	70	365	374
420	256	82	435	444
470	256	94	485	494
520	256	106	535	544

**Quadro V6**



NL mm	b1 mm	X mm	X mm
260	160	279	288
300	160	315	324
350	160	365	374
420	224	435	444
470	256	485	494
520	256	535	544

**Quadro V6+**



NL mm	b1 mm	b2 mm	X mm	X mm
300	160	-	315	324
350	192	-	365	374
420	224	-	435	444
470	256	-	485	494
520	256	-	535	544
620	352	64	635	644



