



<http://www.hettich.com/short/b6df84>



| |  |  |
|---------|--|---|
| A | NL - 24,5 | NL - 21 |
| B | LB - 2 x EB - 52,5 | LB - 2 x EB - 52,5 |
| C | LB - 2 x EB - 64 | |
| D H 94 | 84,5 mm | |
| D H 126 | 116,5 mm | |
| D H 186 | 176 mm | |
| D H 218 | 208 mm | |
| D H 250 | 240 mm | |
| D H 282 | 272 mm | |

H 186

H 218

H 250

H 282



H 94

H 126



| | | | |
|-------|----|----|----|
| KD mm | 16 | 18 | 19 |
| EB mm | 15 | 13 | 12 |
| A mm | 23 | 21 | 20 |

i



H 94

H 126

H 186

H 218

H 250

H 282



H 94/126

H 186

H 218

H 250

H 282



i

8 x
ø 6 x 14



| NL mm | b1 mm |   |   |
|-------|-------|---|---|
| | | X | X |
| 270 | 128 | 273 | 282 |
| 300 | 160 | 303 | 312 |
| 350 | 192 | 353 | 362 |
| 400 | 192 | 403 | 412 |
| 450 | 192 | 453 | 462 |
| 500 | 224 | 503 | 512 |
| 550 | 256 | 553 | 562 |
| 650 | 288 | 653 | 662 |

i



9153351



1 H94/126



H 186



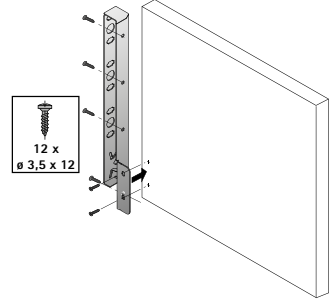
H 218



H 250



H 282



2



3





| | |
|---------|-----|
| X H 186 | 96 |
| X H 218 | 128 |
| X H 250 | 160 |
| X H 282 | 192 |



9123080



6



7





