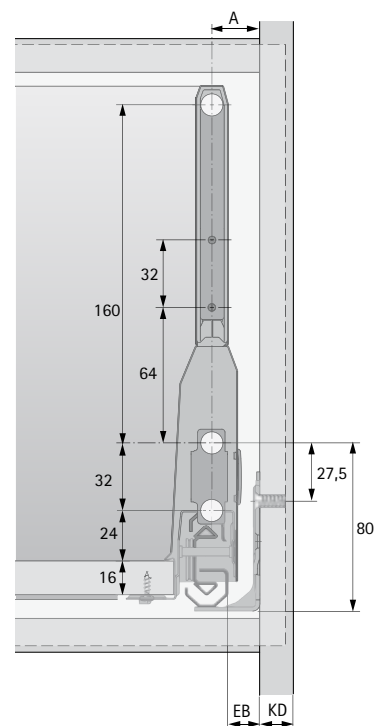
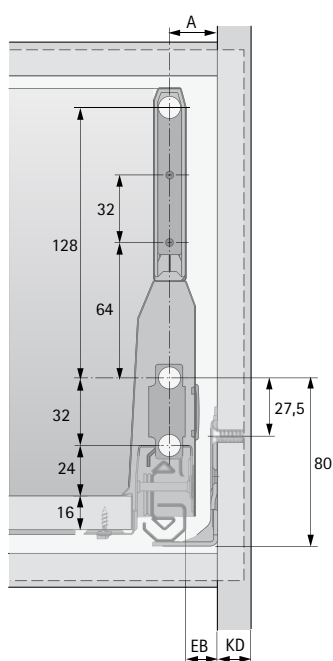
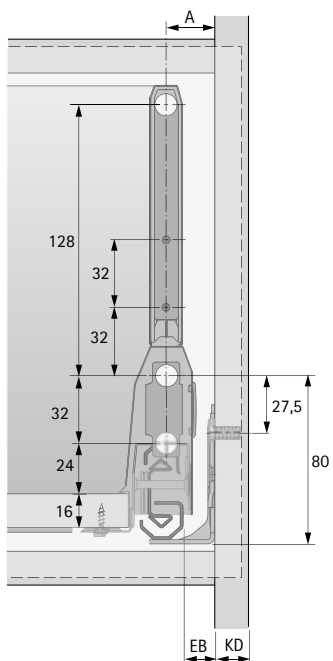
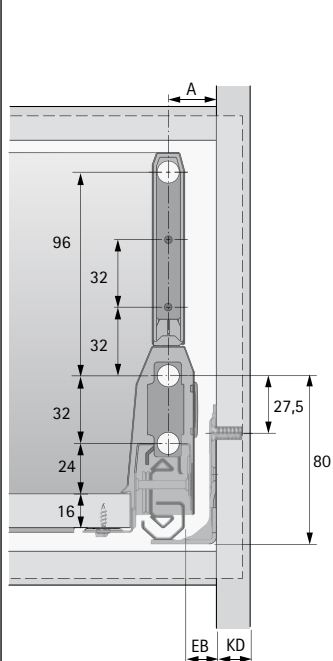


H 186 mm  
Z 94 mm  
TS 92 mm

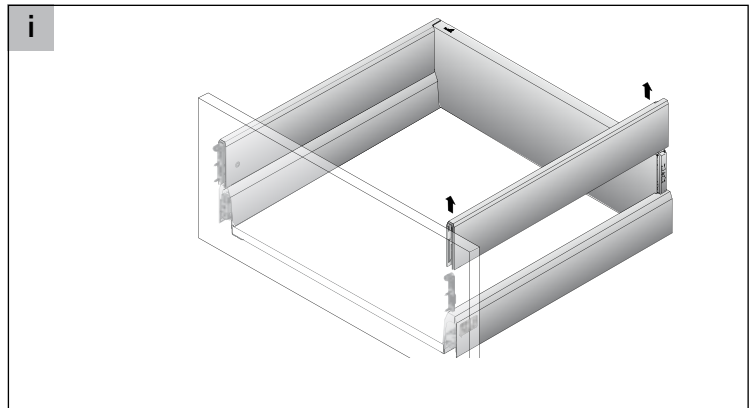
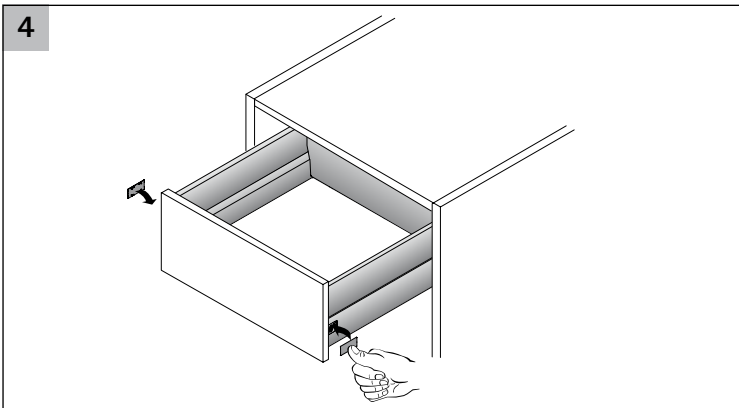
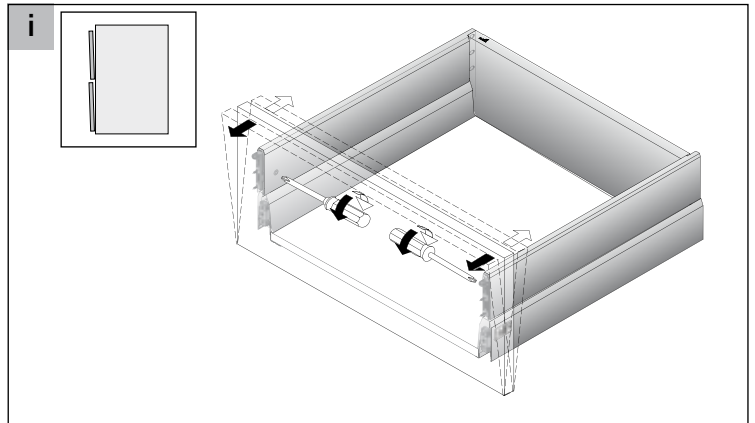
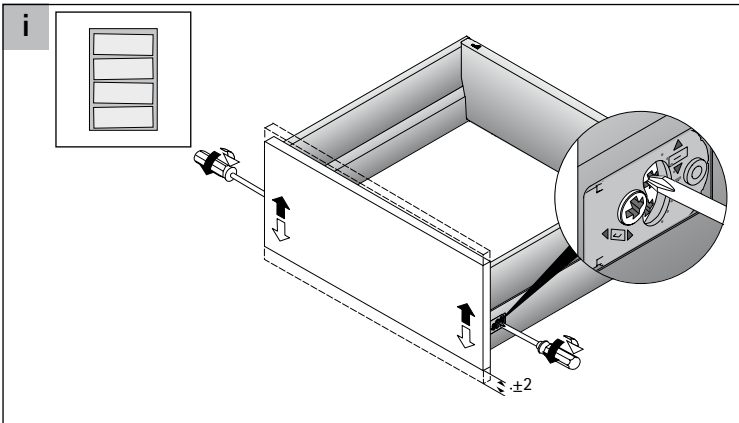
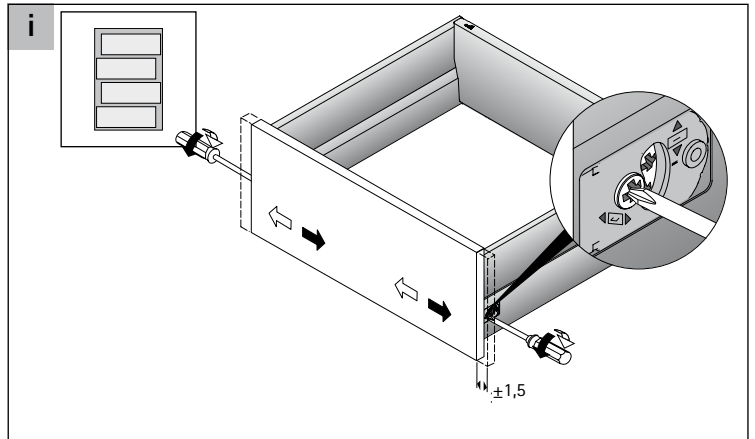
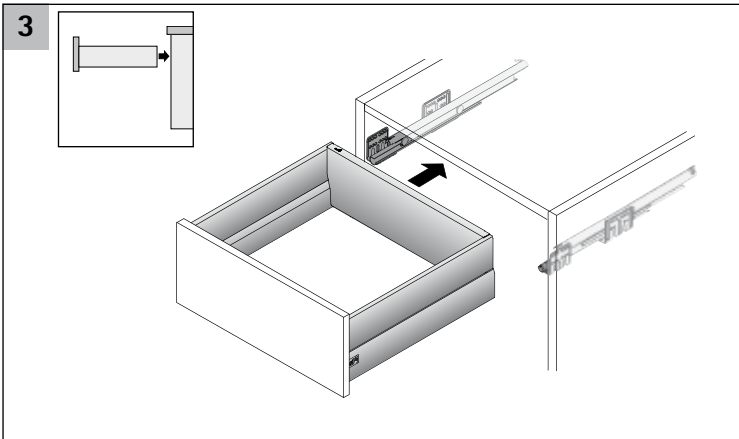
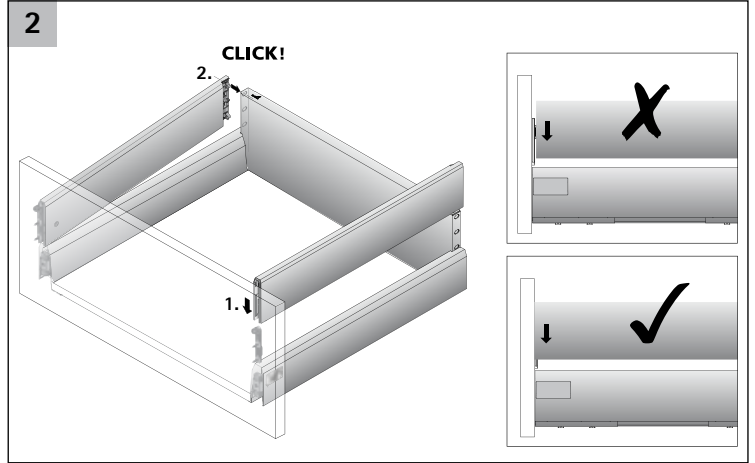
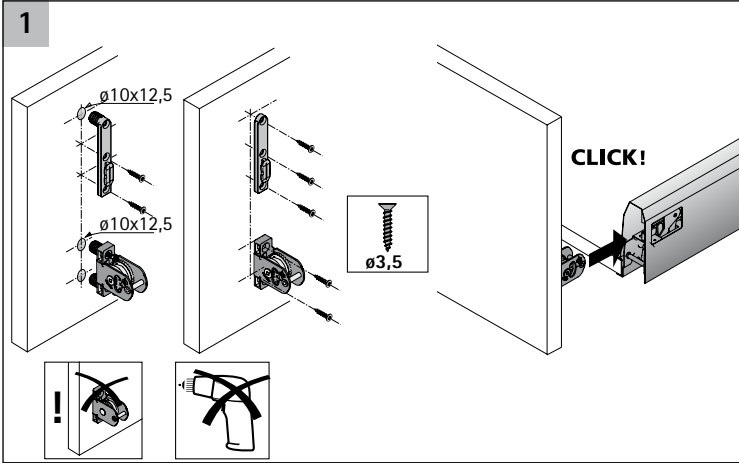
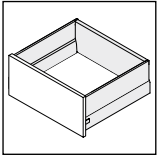
H 218 mm  
Z 94 mm  
TS 124 mm

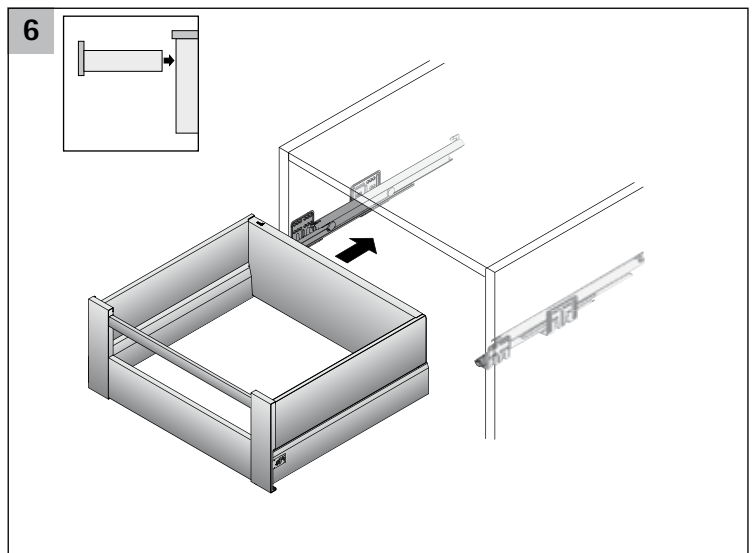
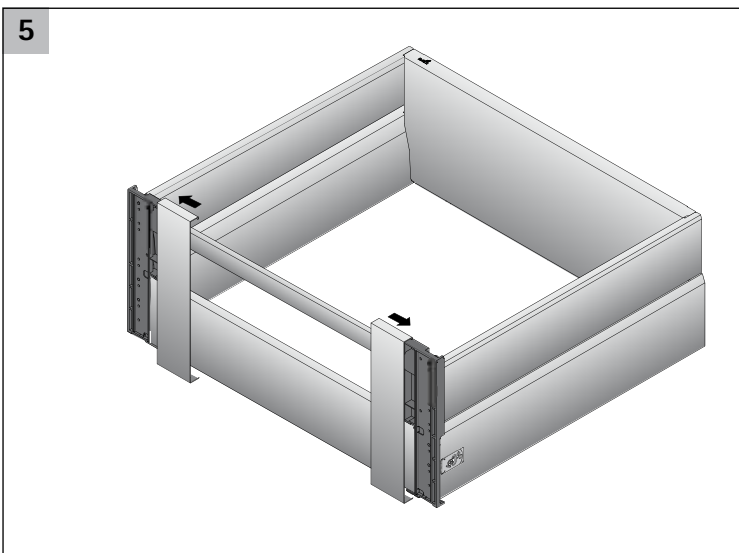
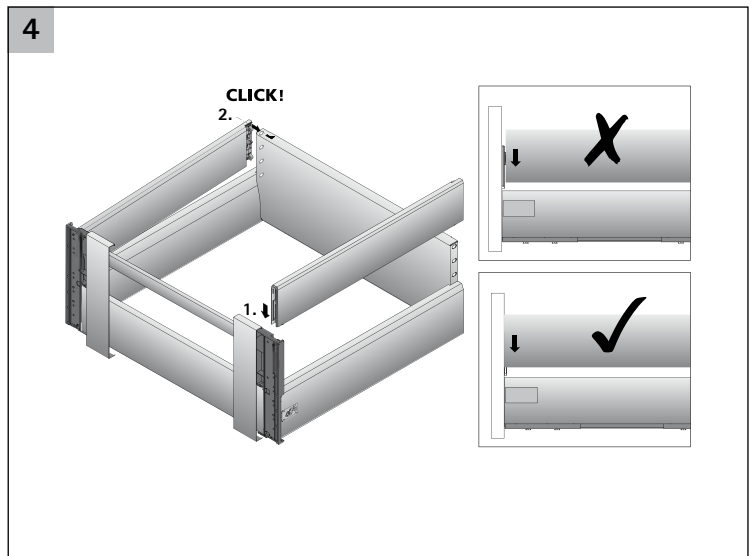
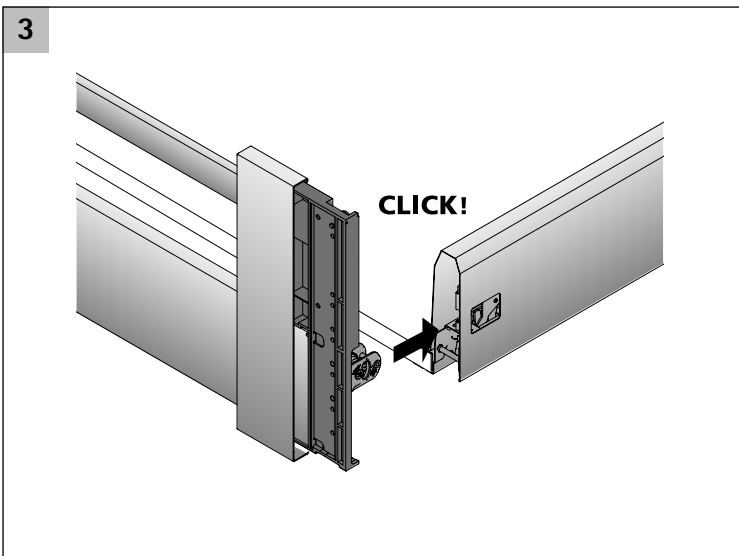
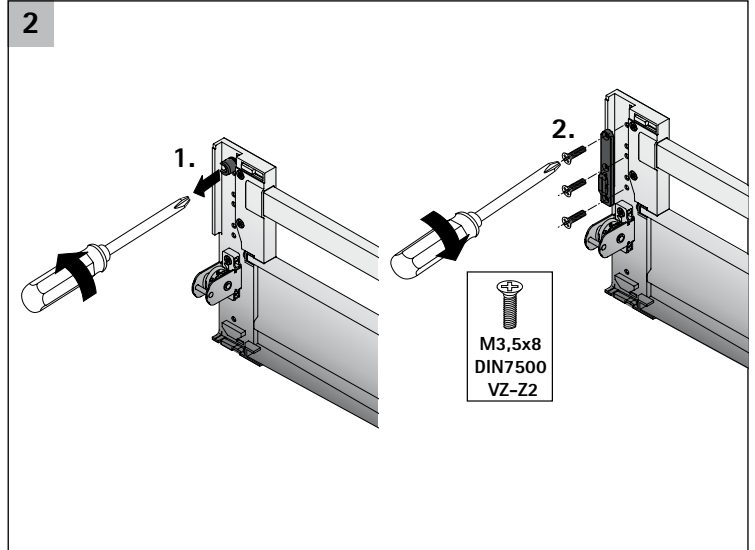
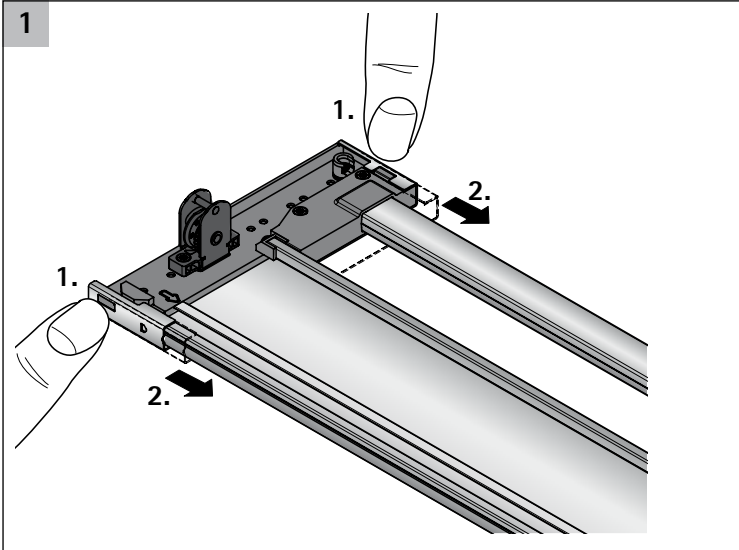
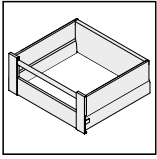
H 218 mm  
Z 126 mm  
TS 92 mm

H 250 mm  
Z 126 mm  
TS 124 mm



|       |    |    |    |    |
|-------|----|----|----|----|
| KD mm | 15 | 16 | 18 | 19 |
| EB mm | 16 | 15 | 13 | 12 |
| A mm  | 24 | 23 | 21 | 20 |





Technik für Möbel

