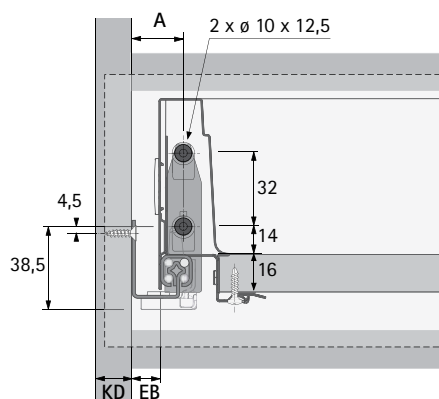
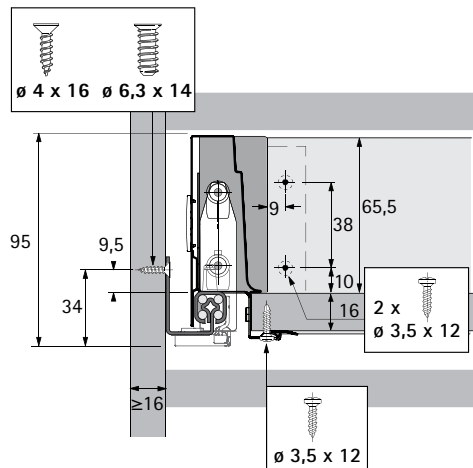


i

### Quadro 25



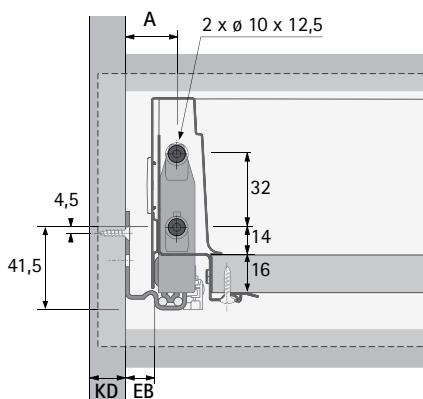
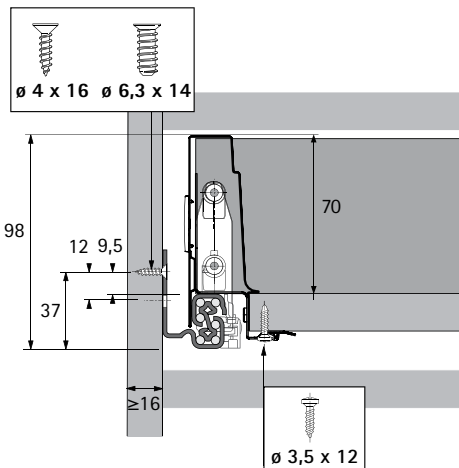
Holzrückwand /  
Wooden rear panel



### Quadro V6



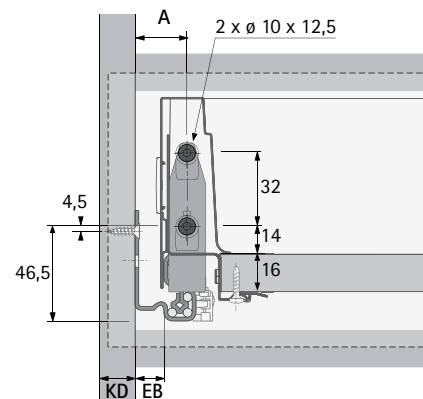
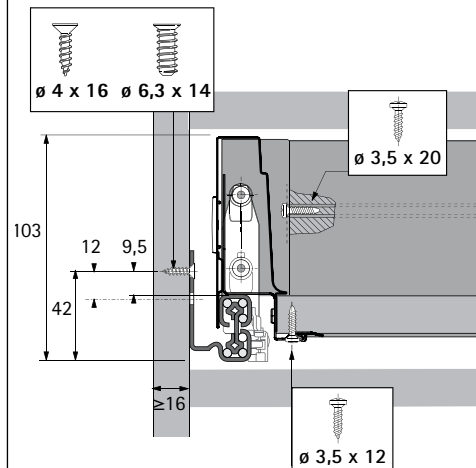
Stahlrückwand /  
Steel rear panel



### Quadro V6+

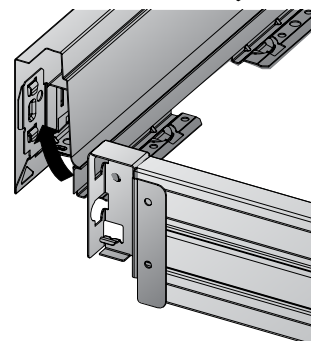
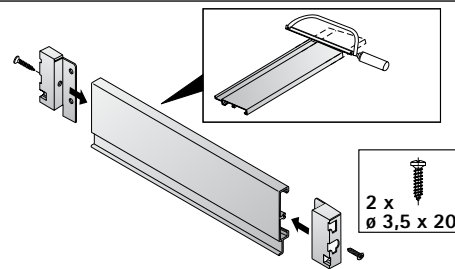
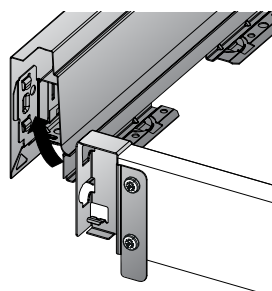
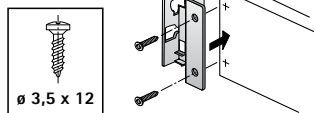
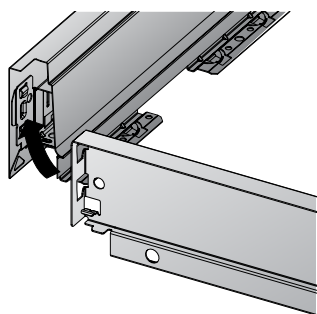


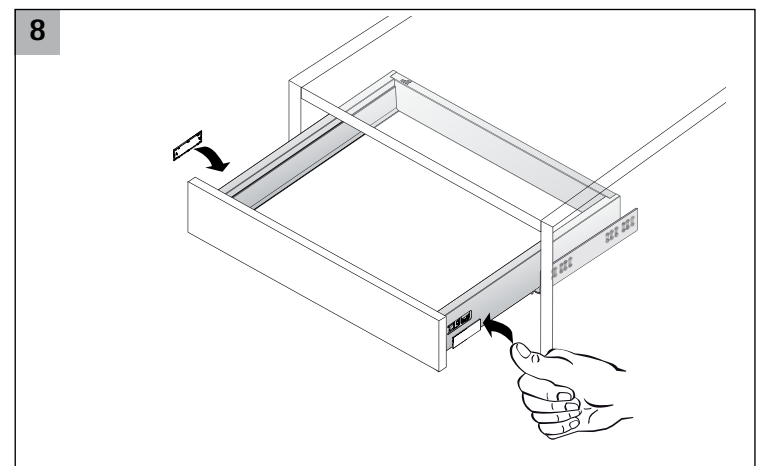
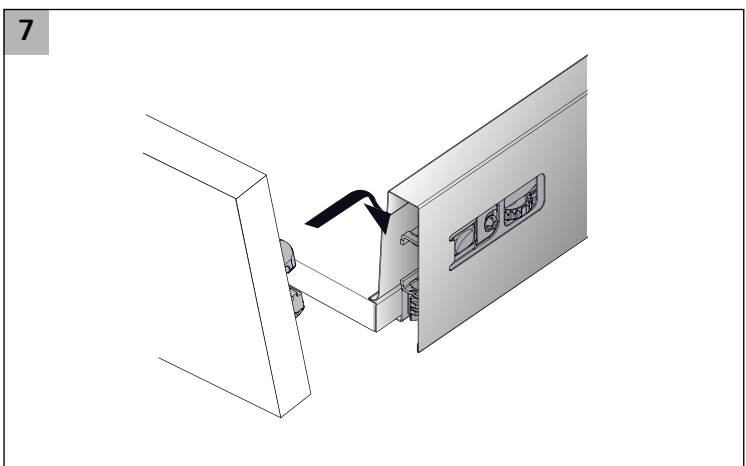
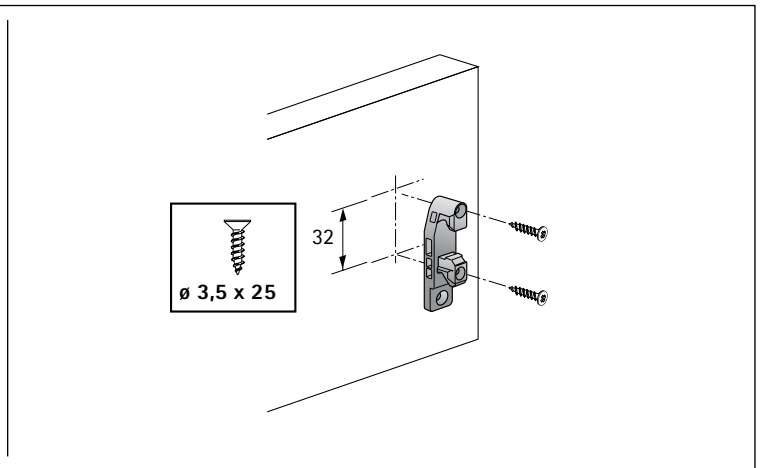
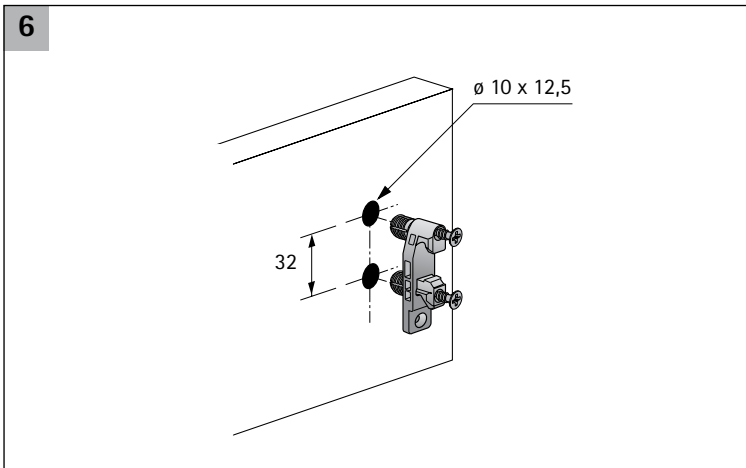
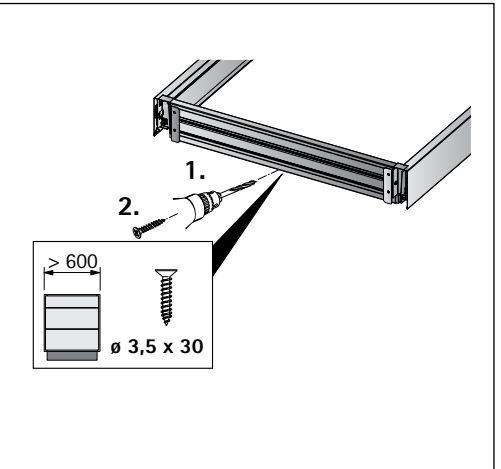
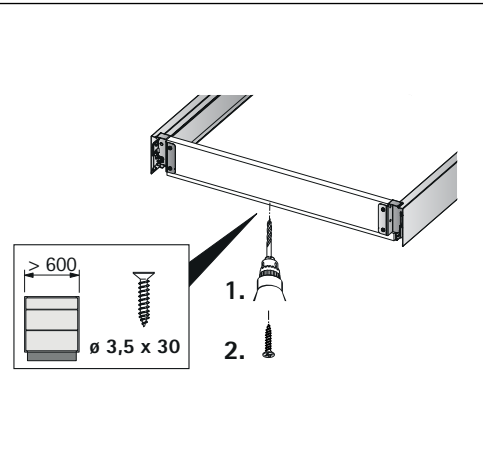
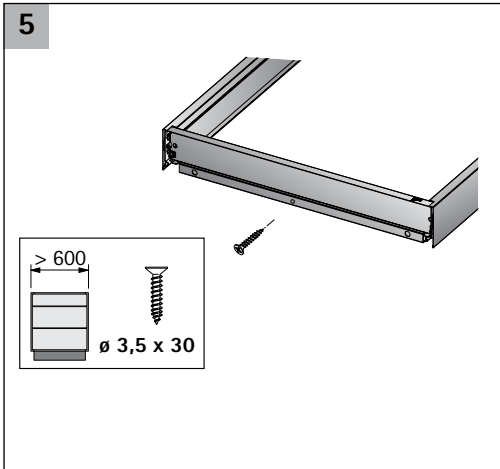
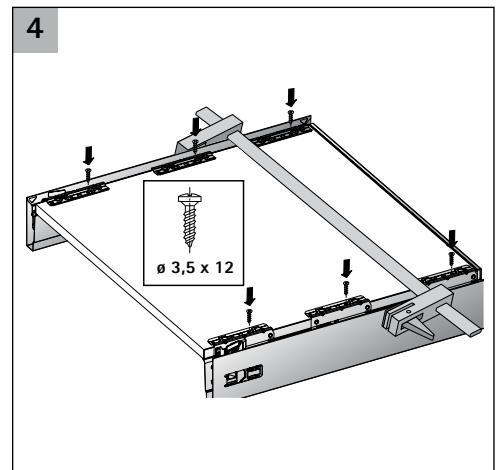
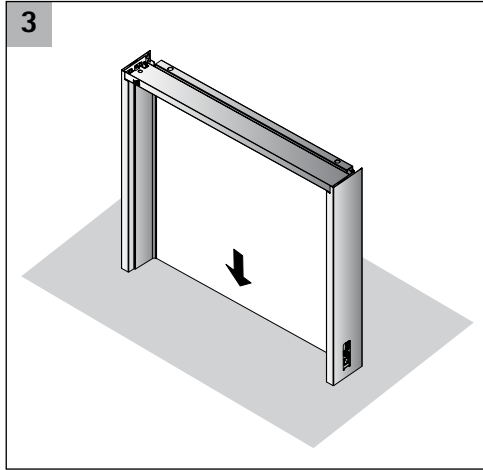
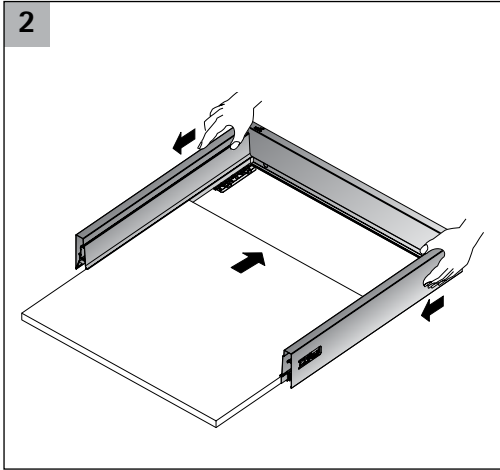
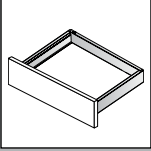
Aluminiumrückwand /  
Aluminium rear panel

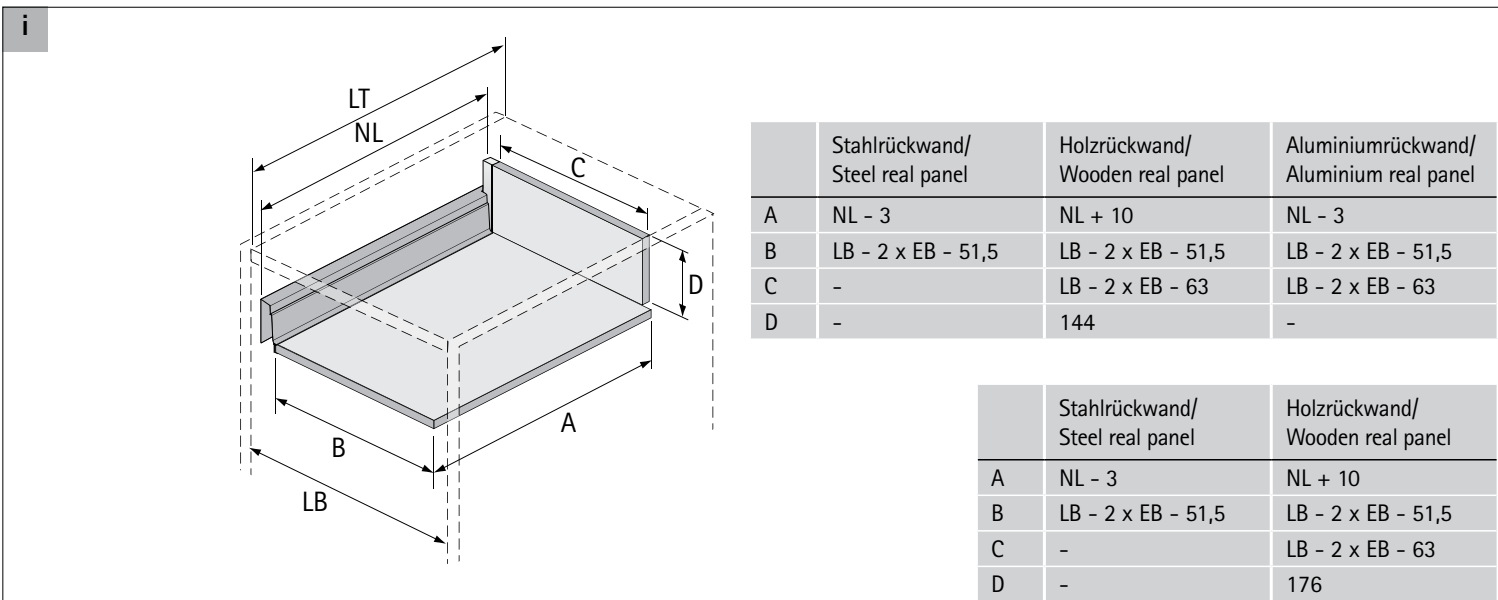
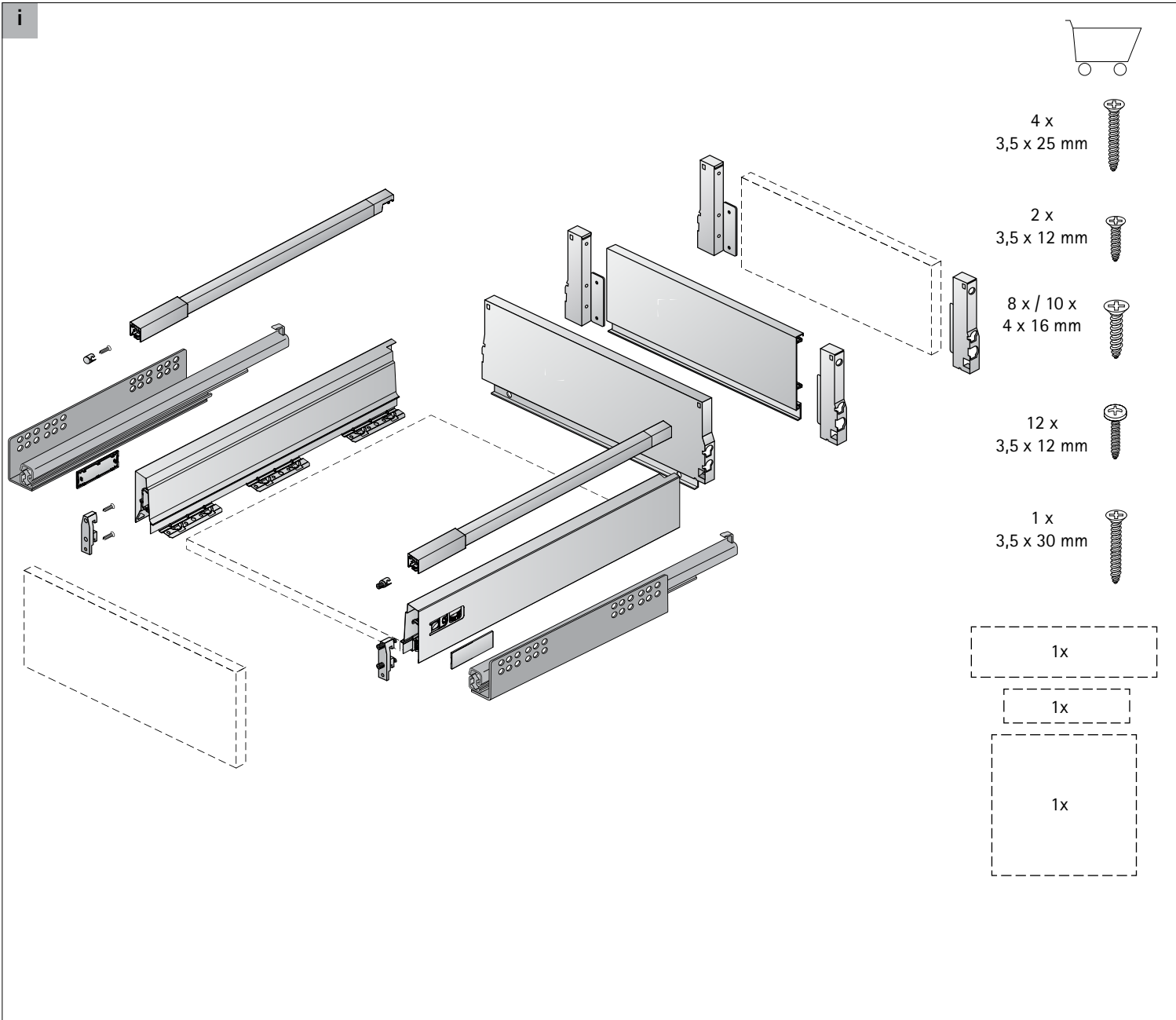
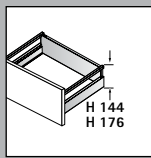


KD mm	16	18	19
EB mm	12,5	10,5	9,5
A mm	23	21	20

1





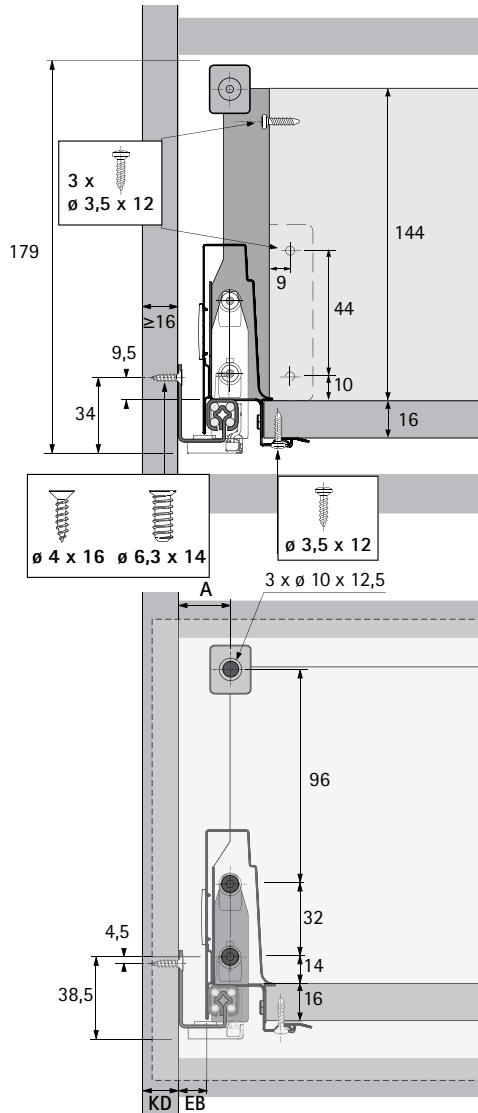


i

**Quadro 25**



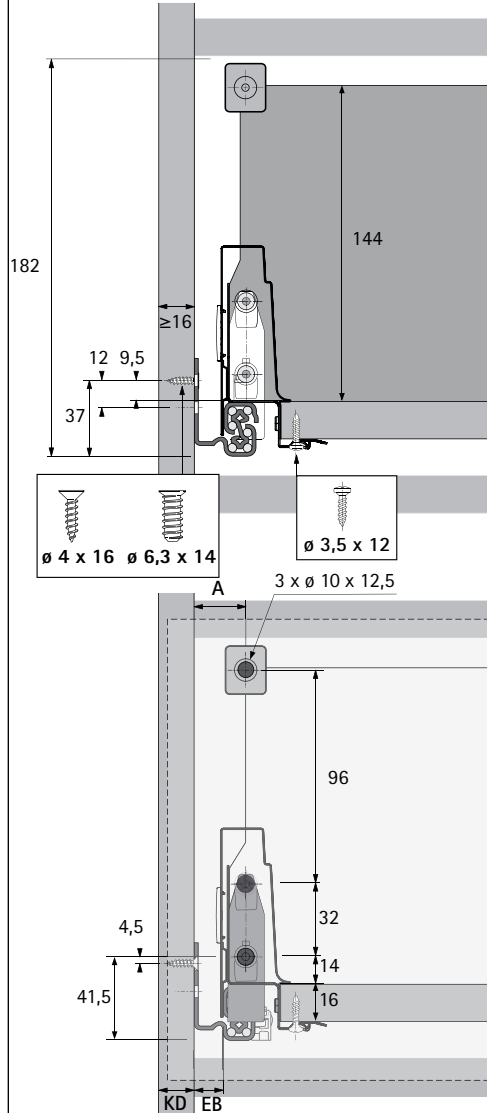
Quadro 25  
Holzrückwand /  
Wooden rear panel



**Quadro V6**



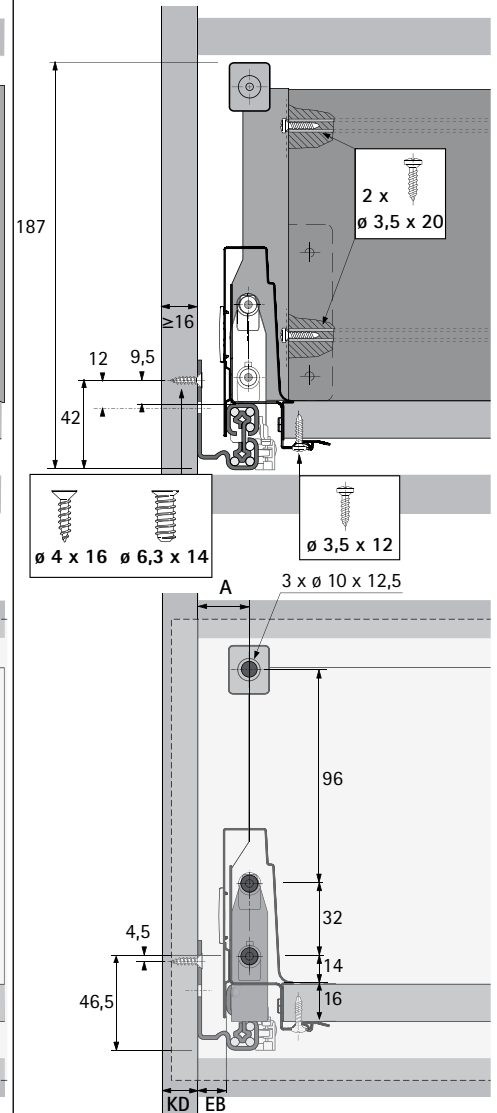
Quadro V6  
Stahlrückwand /  
Steel rear panel



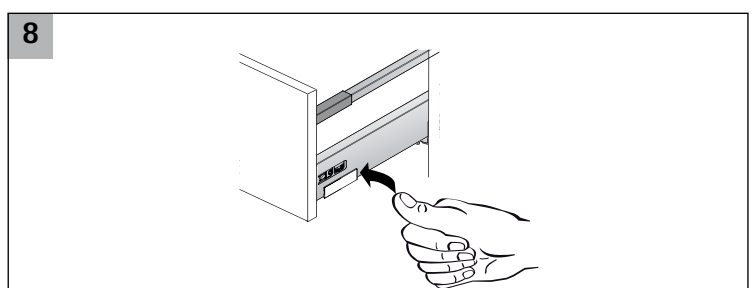
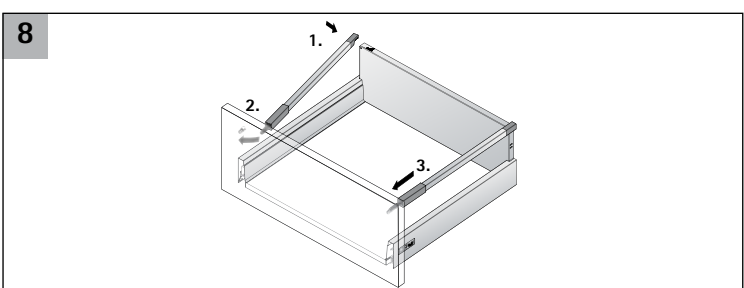
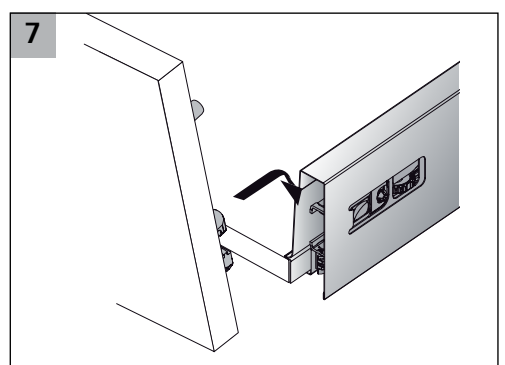
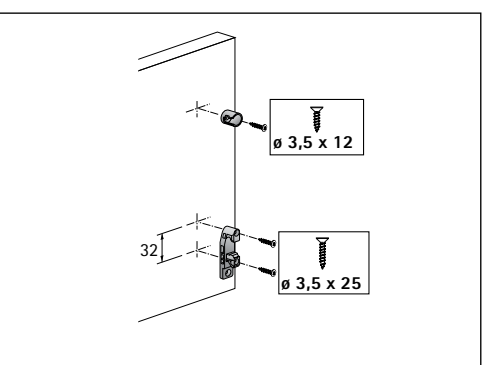
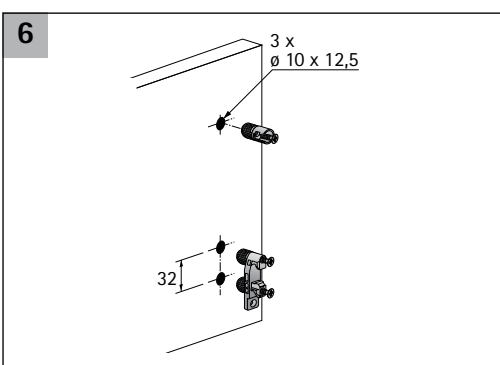
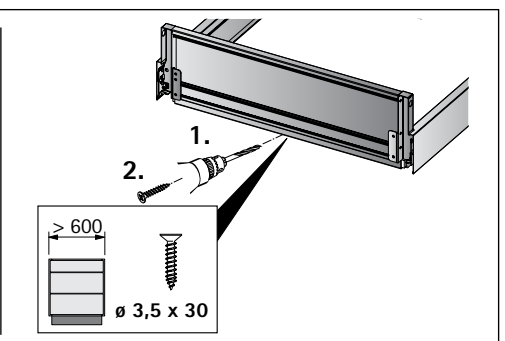
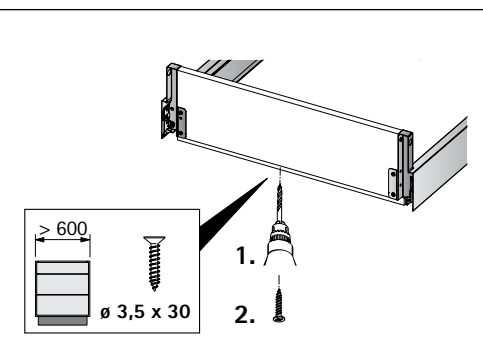
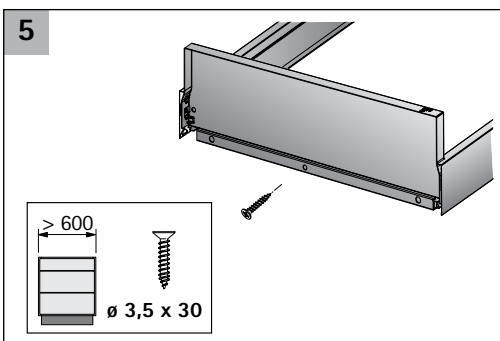
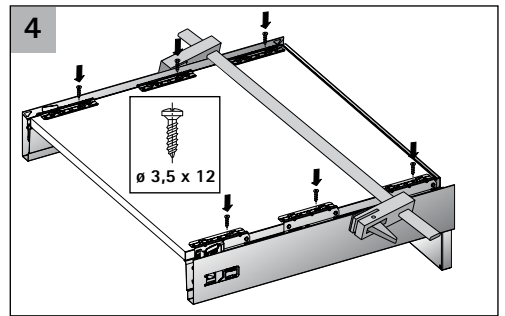
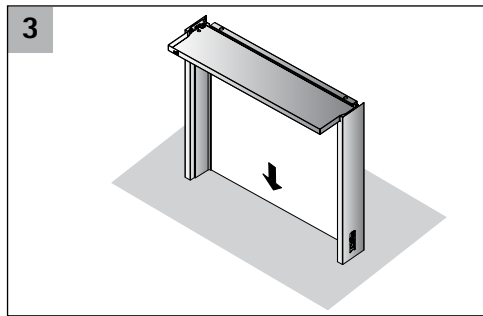
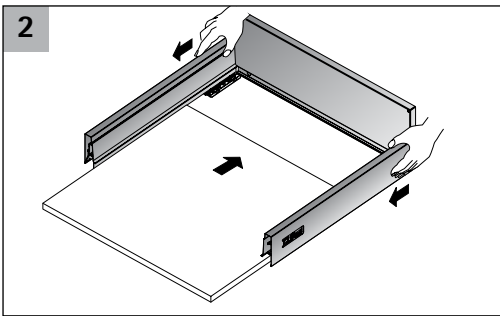
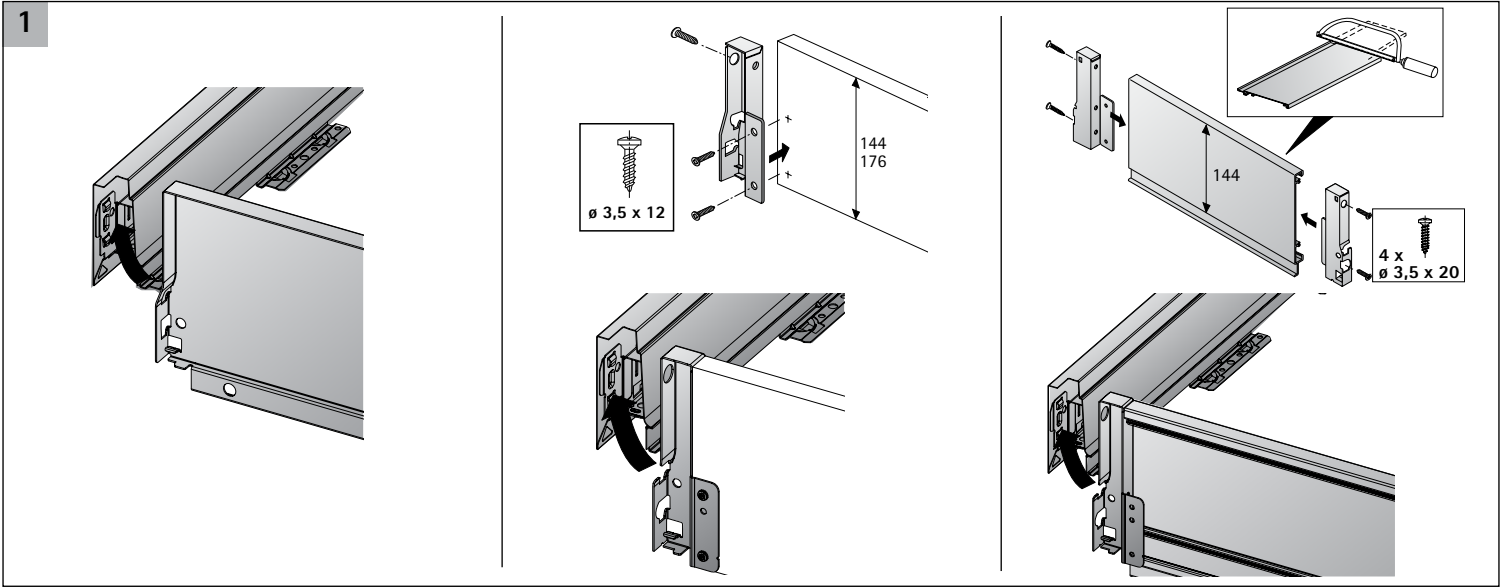
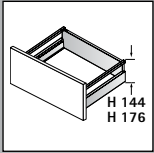
**Quadro V6+**



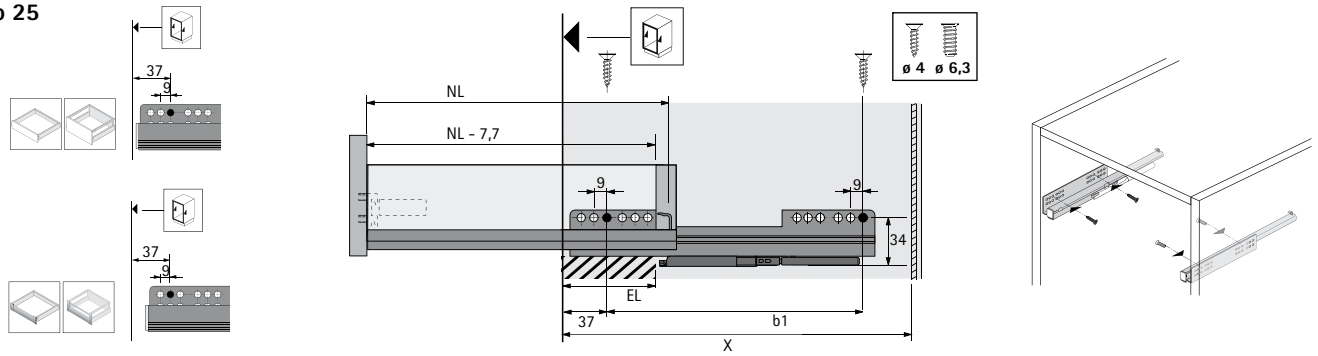
Quadro V6+  
Aluminiumrückwand /  
Aluminium rear panel



KD mm	16	18	19
EB mm	12,5	10,5	9,5
A mm	23	21	20

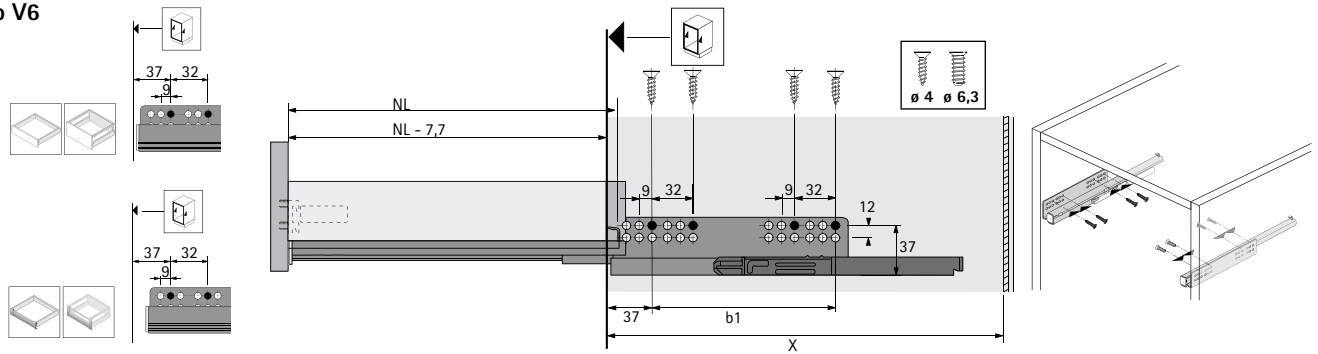


**i Quadro 25**



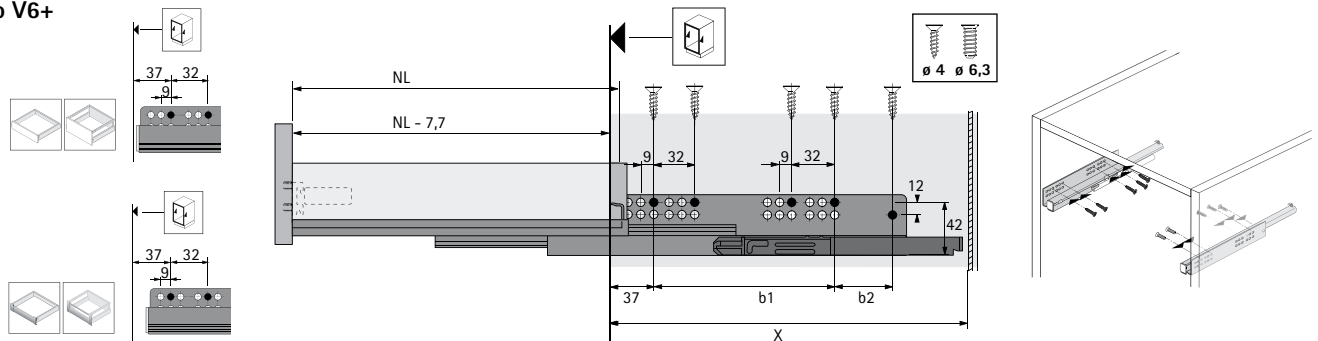
NL mm	b1 mm	EL mm	X mm	X mm
260	128	50	279	288
300	160	79	315	324
350	160	74	365	374
420	256	86	435	444
470	256	98	485	494
520	256	110	535	544

**Quadro V6**



NL mm	b1 mm	X mm	X mm
260	160	279	288
300	160	315	324
350	160	365	374
420	224	435	444
470	256	485	494
520	256	535	544

**Quadro V6+**



NL mm	b1 mm	b2 mm	X mm	X mm
300	160	-	315	324
350	192	-	365	374
420	224	-	435	444
470	256	-	485	494
520	256	-	535	544
620	352	64	635	644

