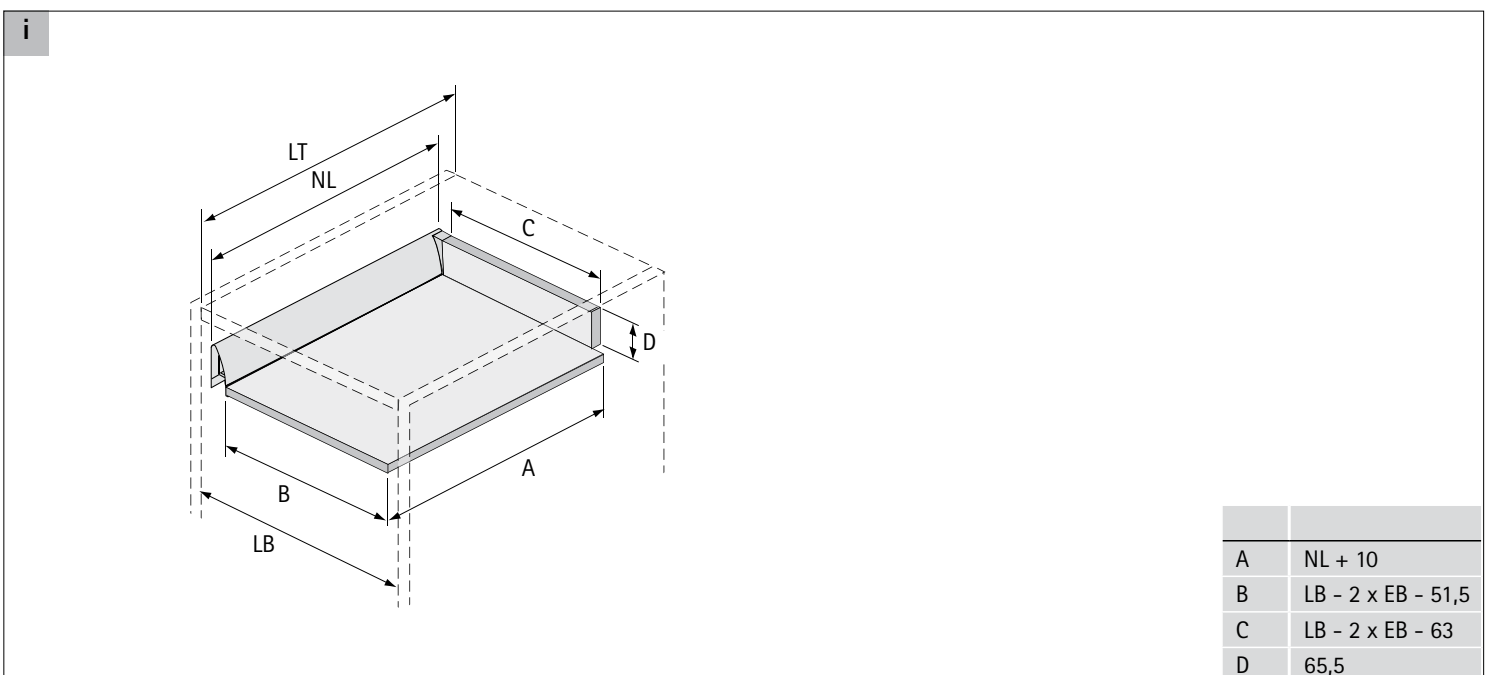
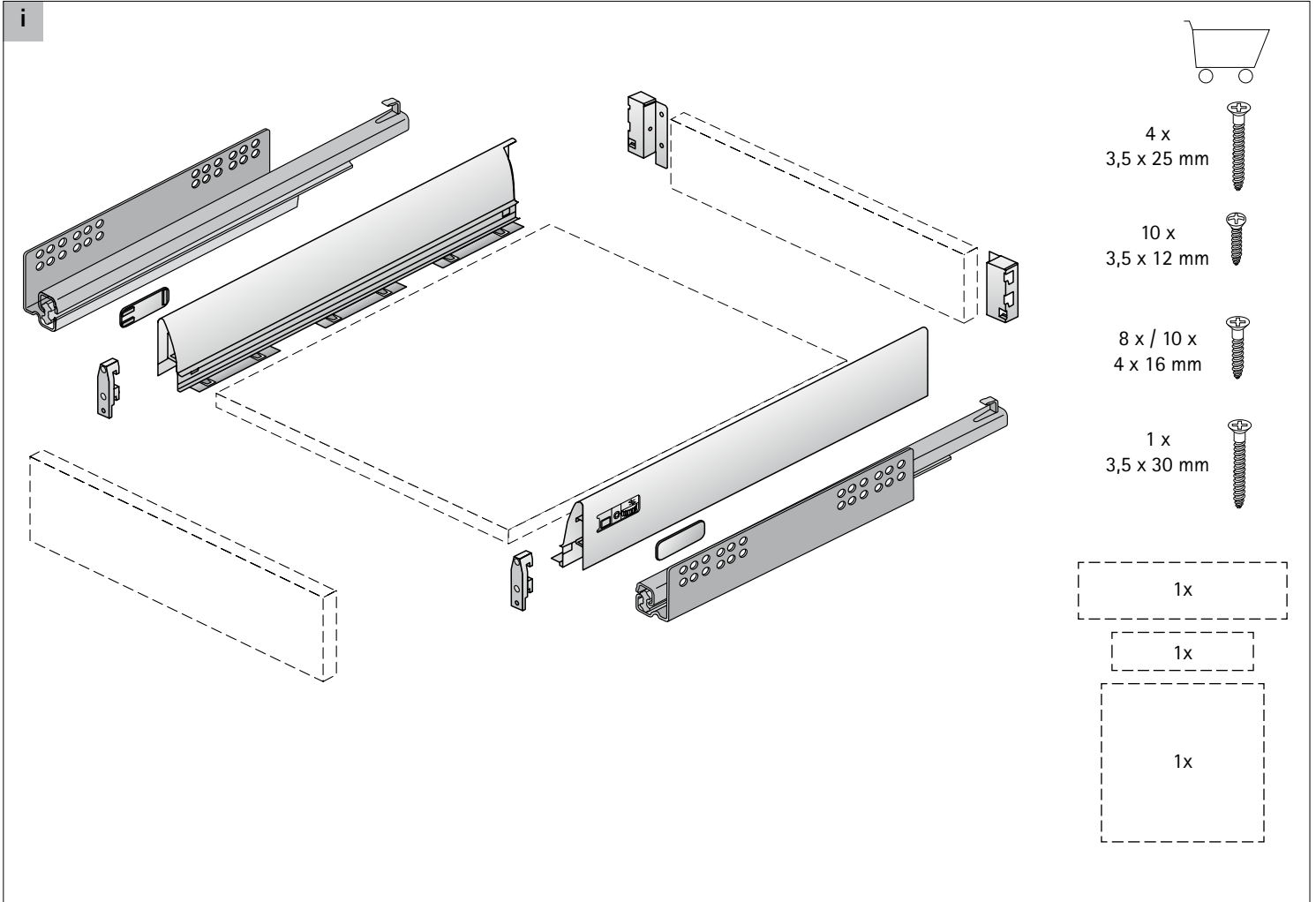




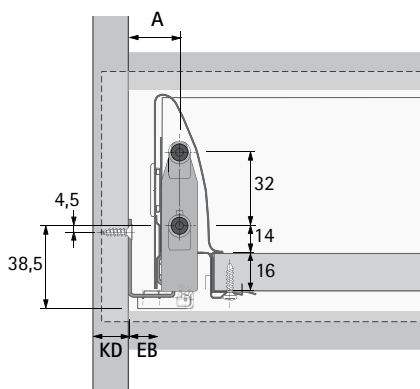
<http://www.hettich.com/short/0c568e>



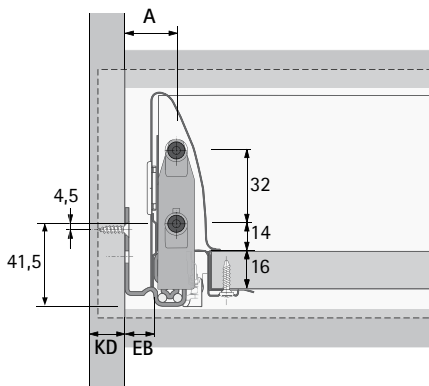
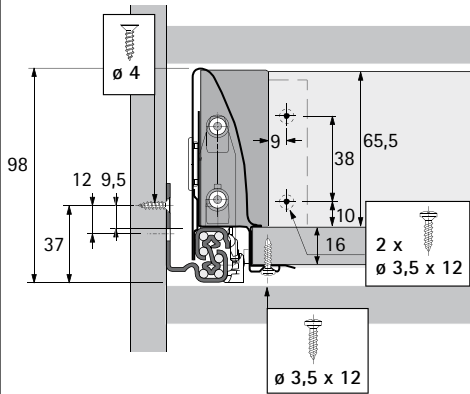


i

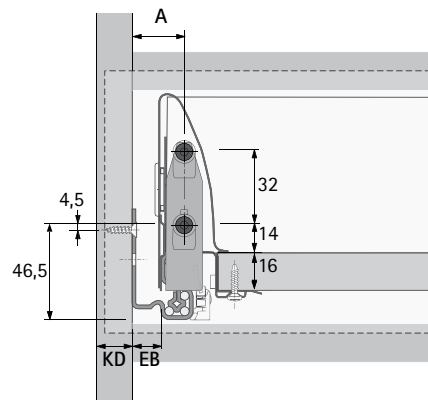
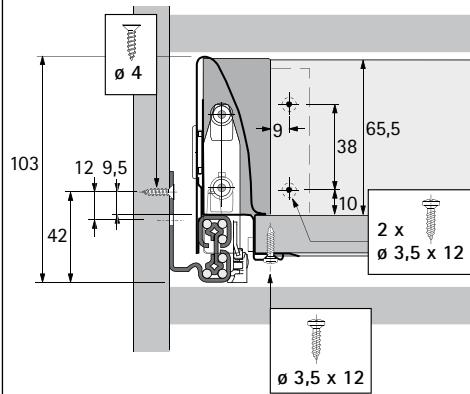
### Quadro 25



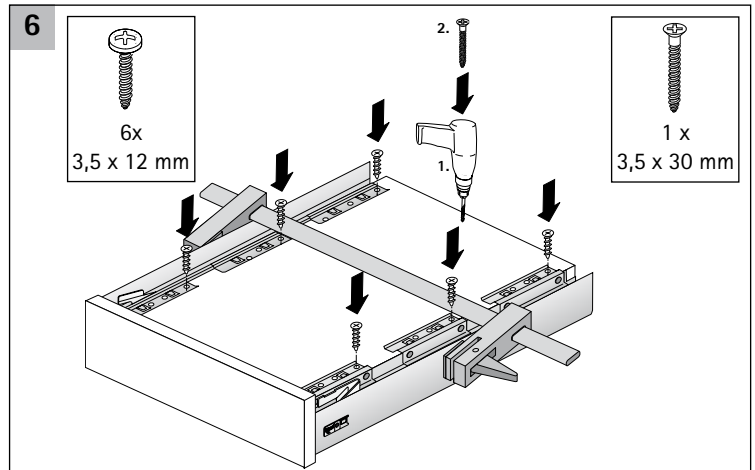
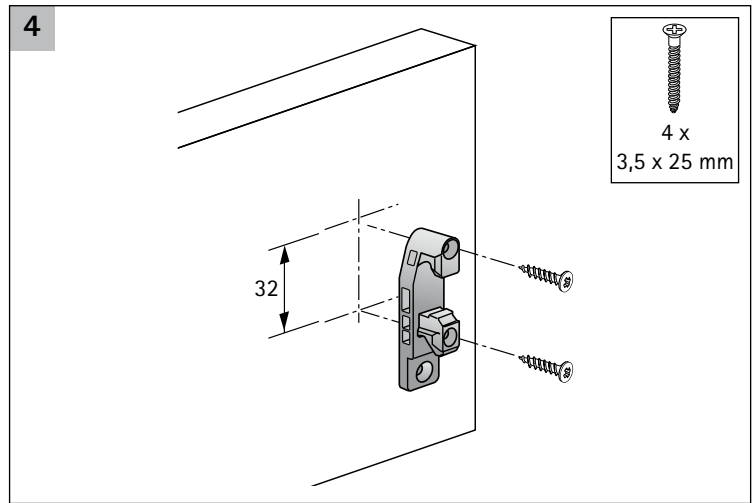
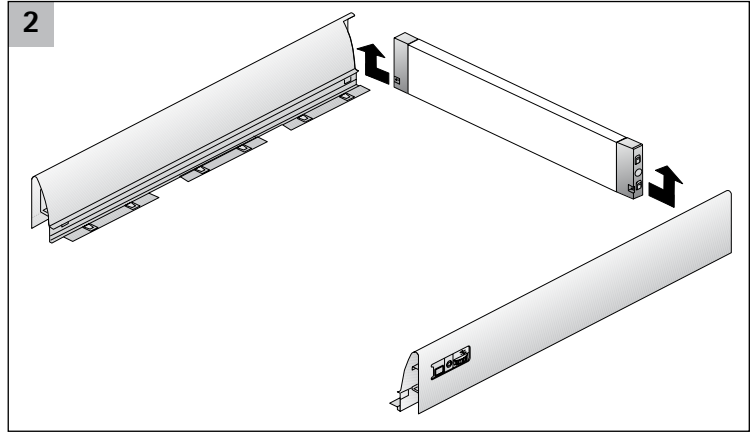
### Quadro V6



### Quadro V6+



KD mm	16	18	19
EB mm	12,5	10,5	9,5
Maß A mm	23	21	20

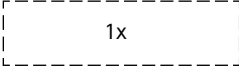
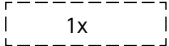
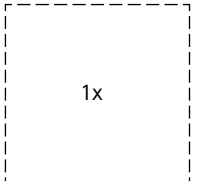




i



- 4 x 3,5 x 25 mm 
- 2 x 3,5 x 12 mm 
- 8 x / 10 x 4 x 16 mm 
- 12 x 3,5 x 12 mm 
- 1 x 3,5 x 30 mm 

- 1x 
- 1x 
- 1x 

i



	144	176
A	NL + 10	NL + 10
B	LB - 2 x EB - 51,5	LB - 2 x EB - 51,5
C	LB - 2 x EB - 63	LB - 2 x EB - 63
D	144	176

i



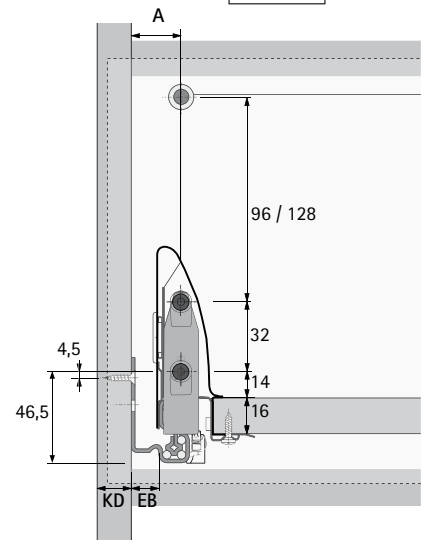
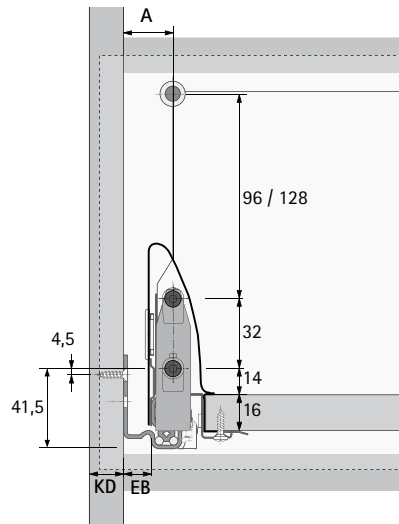
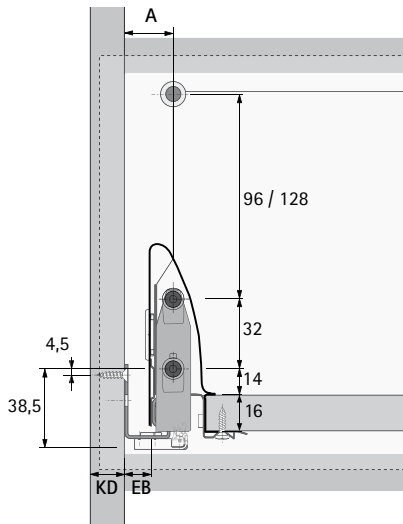
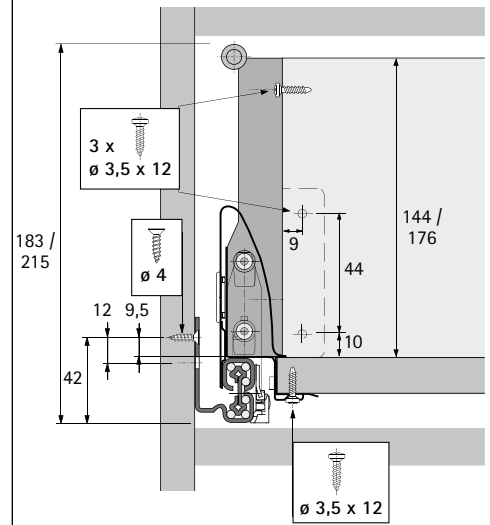
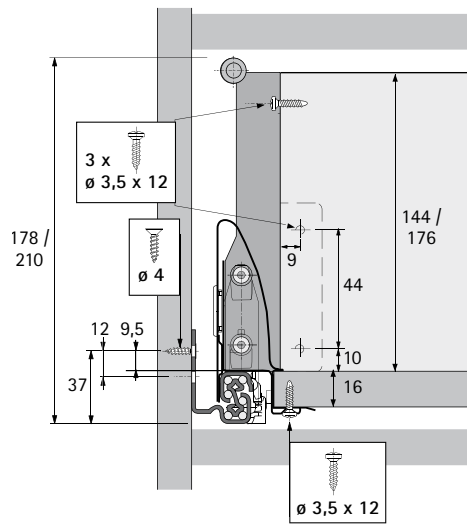
Quadro 25



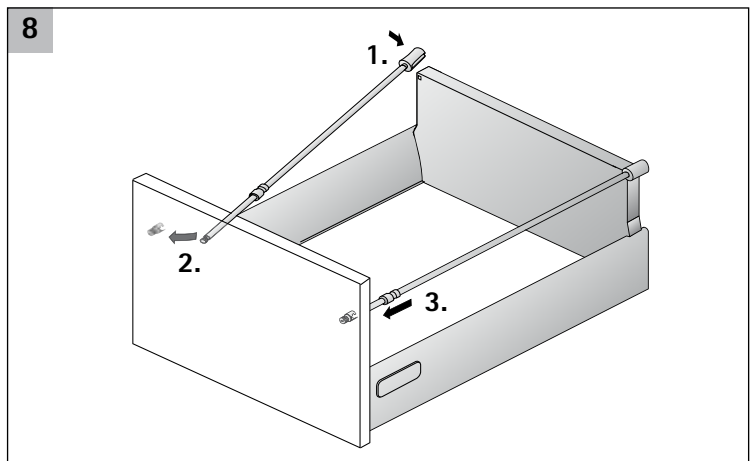
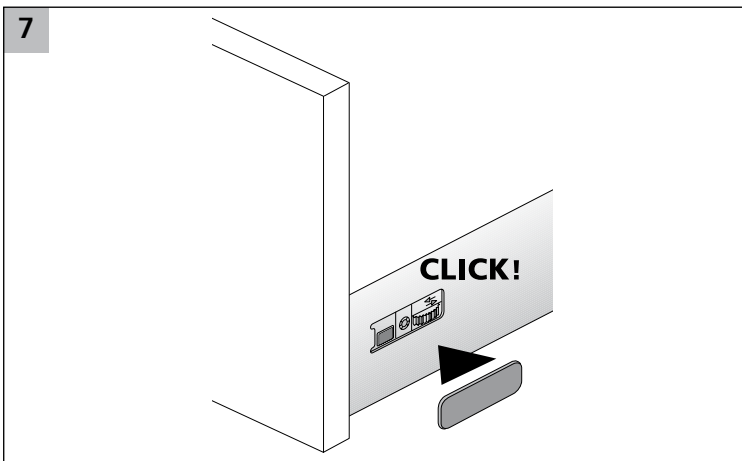
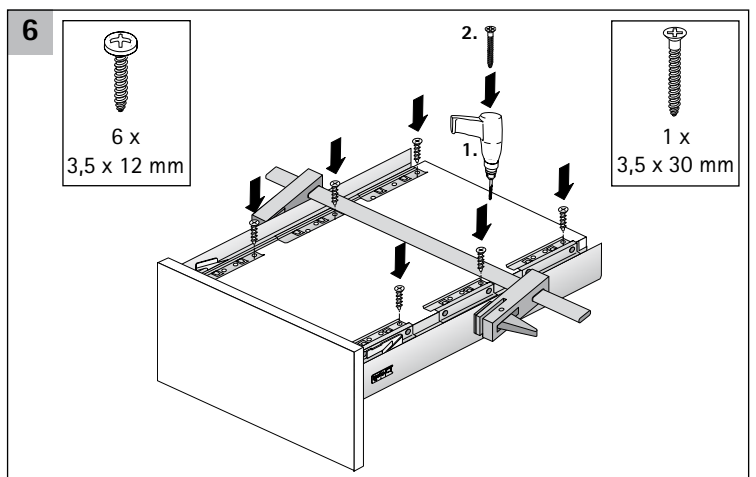
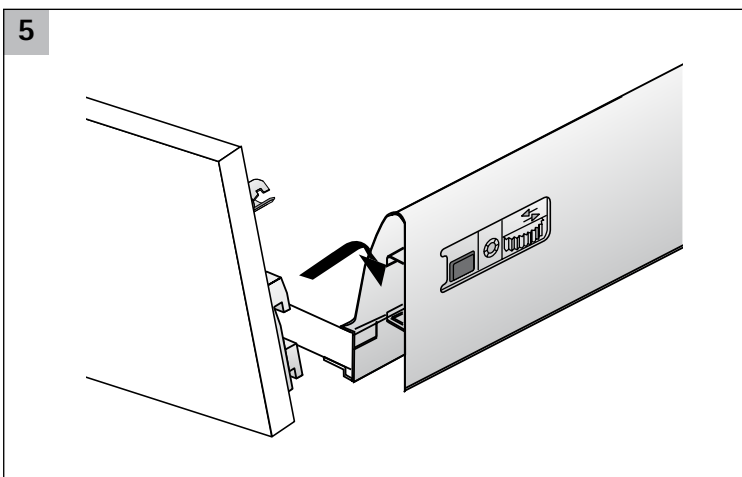
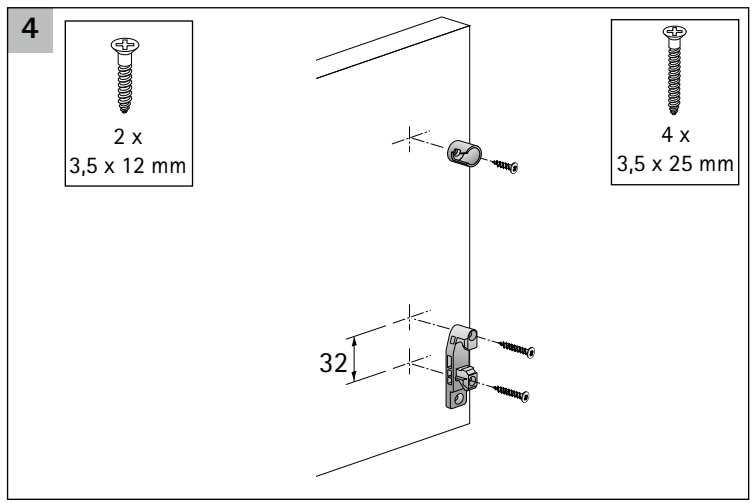
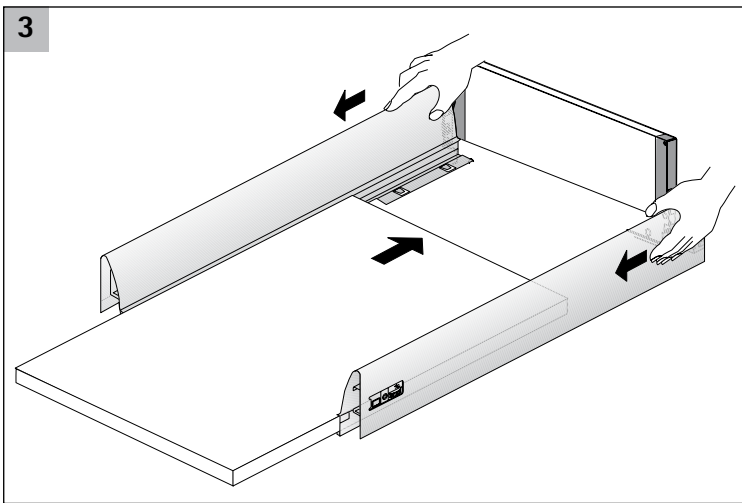
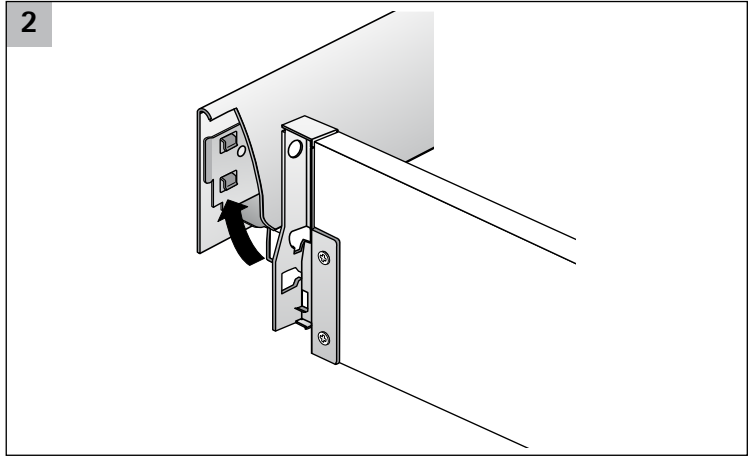
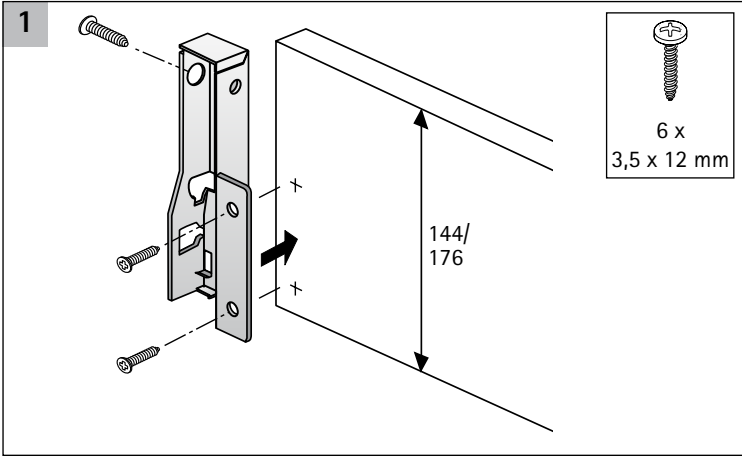
Quadro V6

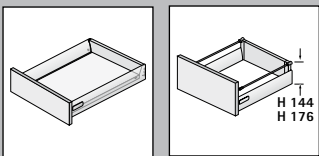


Quadro V6+

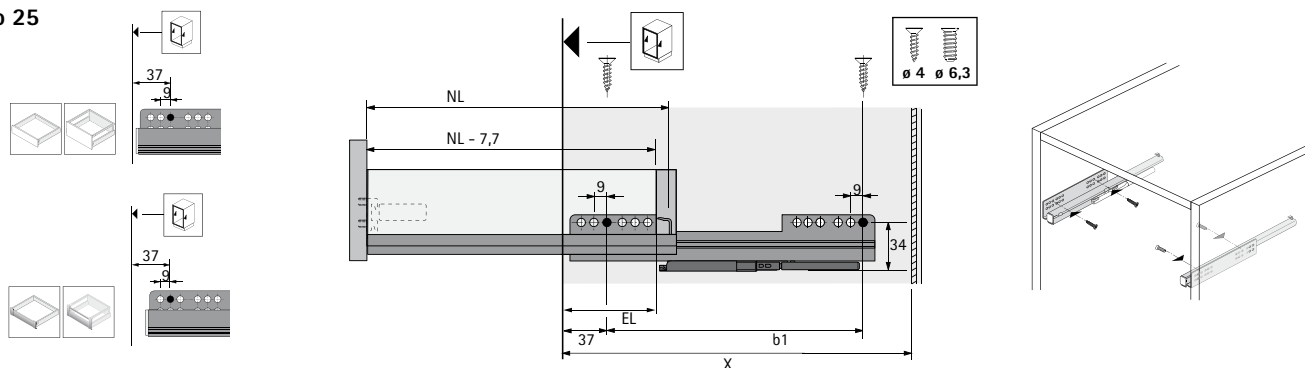


KD mm	16	18	19
EB mm	12,5	10,5	9,5
Maß A mm	23	21	20



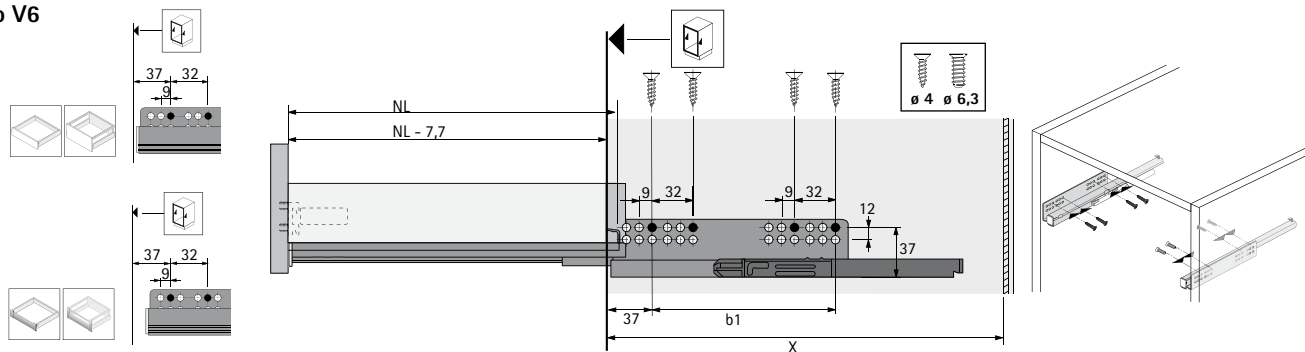


**i Quadro 25**



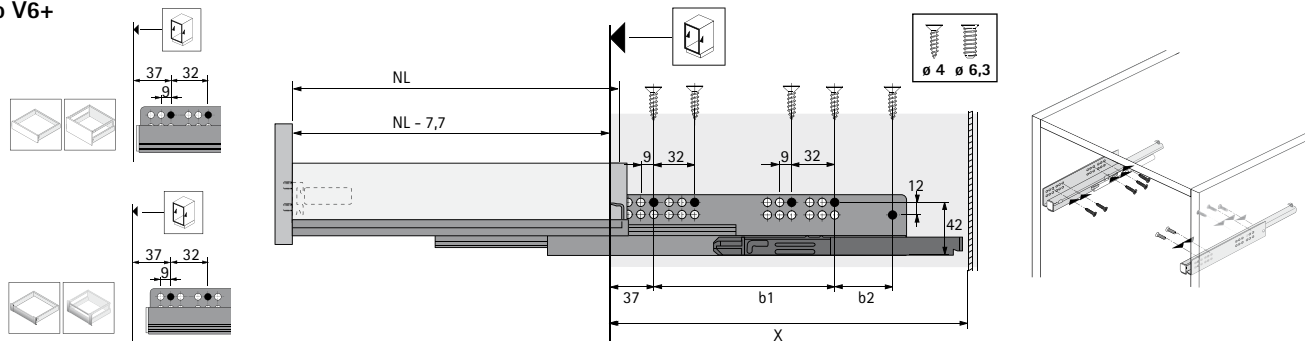
NL mm	b1 mm	EL mm	X mm	X mm
260	160	50	279	288
300	160	70	315	324
350	160	70	365	374
420	256	82	435	444
470	256	94	485	494
520	256	106	535	544

**Quadro V6**



NL mm	b1 mm	X mm	X mm
260	160	279	288
300	160	315	324
350	160	365	374
420	224	435	444
470	256	485	494
520	256	535	544

**Quadro V6+**



NL mm	b1 mm	b2 mm	X mm	X mm
300	160	-	315	324
350	192	-	365	374
420	224	-	435	444
470	256	-	485	494
520	256	-	535	544
620	352	64	635	644

